

Push-Lock type Flow Control Valve with Indicator

Available in both In-line and Elbow style

Competitive pricing!

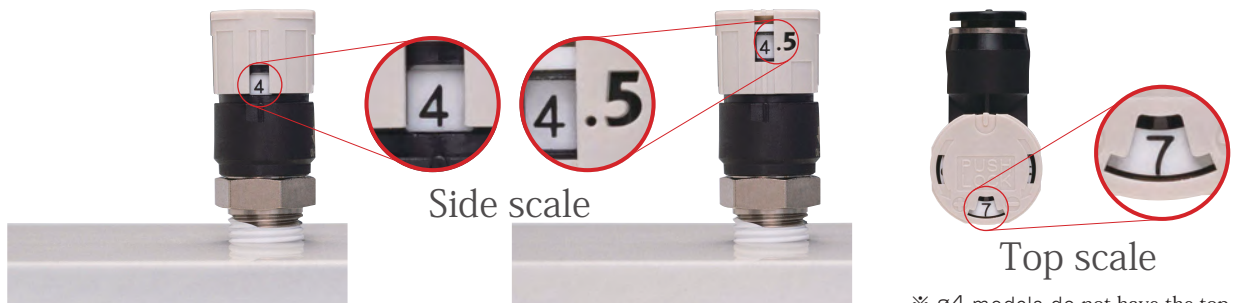
Flow rate is set by the Indicator.

Possible to know the number of rotation every 1/2 turn. The scale is readable both on the side and the top. Reducing the task of initial flow settings or their maintenance/replacements.

Model Ex.) **JSGU6**



Model Ex.) **JSGC6-01B**



Side scale

Top scale

※ ø4 models do not have the top scale

❖ You can set the pressure with the dial between 0.5 and 9 or 13 at every 1/2 turn.

It has a very compact and low profile body as a flow controller with an indicator. The smallest on the field.

Push-Lock type knob – Easy to handle



Easy to identify the flow direction

Meter-out control or Meter-in control identified by the color of knob.

Meter-out is ideal for double acting cylinders



Meter-in is ideal for single acting cylinders



The material of the diaphragm is HNBR for low level ozone resistant.

2 types of flow rate - Standard and Low flow types.

Push-Lock type Flow Control Valve with Indicator

Model Designation (Example)

JSG **C** **6** - **01** **A** **5** **6** **7**

↓ Push-Lock type Flow Control valve with Indicator

⑦. Color and clean room packaging

| Code | Apperance | Coloring | |
|----------|---|--------------|------------|
| | | Release ring | Main body |
| No entry | Standard  | Black | Black |
| W | Light Gray  | Light Gray | Light Gray |

※ Specify "-C" for clean room type and "W-C" for Light Gray color and clean room packaging.

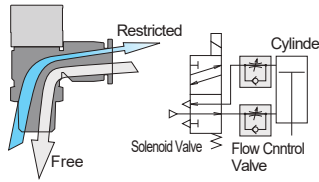
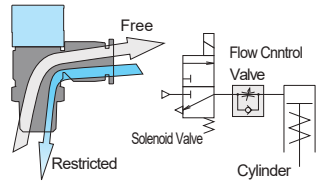
⑥. Flow Rate Specification

No Entry : Standard flow type
L : Low flow type

⑤. Back Flow Preventing Diaphragm Specification

No Entry : Standard flow type
K : Spring return type - Cracking pressure : 2.9psi (0.02MPa)
Service pressure range : 7.25~72.5psi (0.05~0.5MPa)

④. Control Direction (※ No entry for JSGU : In-line Straight)

| Code | A | B |
|----------|---|--|
| Control | Meter-out Control | Meter-in Control |
| |  |  |
| | Air flow from the thread to the tubing is restricted. Free flow from the fitting to the thread. | Air flow from the tubing to the thread is restricted. Free flow from the thread to the tubing. |
| Coloring | Knob color : Light gray | Knob color : Light blue |

③. Thread size (※ No entry for JSGU : In-Line Straight)

| | Metric thread | | Tapered thread | | |
|--------|---------------|--------|----------------|------|------|
| Code | M3 | M5 | 01 | 02 | 03 |
| Thread | M3×0.5 | M5×0.8 | R1/8 | R1/4 | R3/8 |

❖ R thread is same as BSPT

Competitive pricing!

②. Tubing size

| | Metric size | | | |
|------------------|-------------|----|------------|-----|
| Code | 4 | 6 | 8 | 10 |
| Tubing O.D. (mm) | ø4 (5/32") | ø6 | ø8 (5/16") | ø10 |

※ JSGU10 model is coming in April, 2020

❖ 1/4", 5/32", 10-32UNF, 1/8NPT is coming pretty soon. Ask us for availability of any models.

①. Style

| Code | Type |
|------|------------------|
| C | Elbow |
| U | In-line Straight |

3/8", 1/2", 1/4NPT, 3/8NPT models are coming in summer 2020

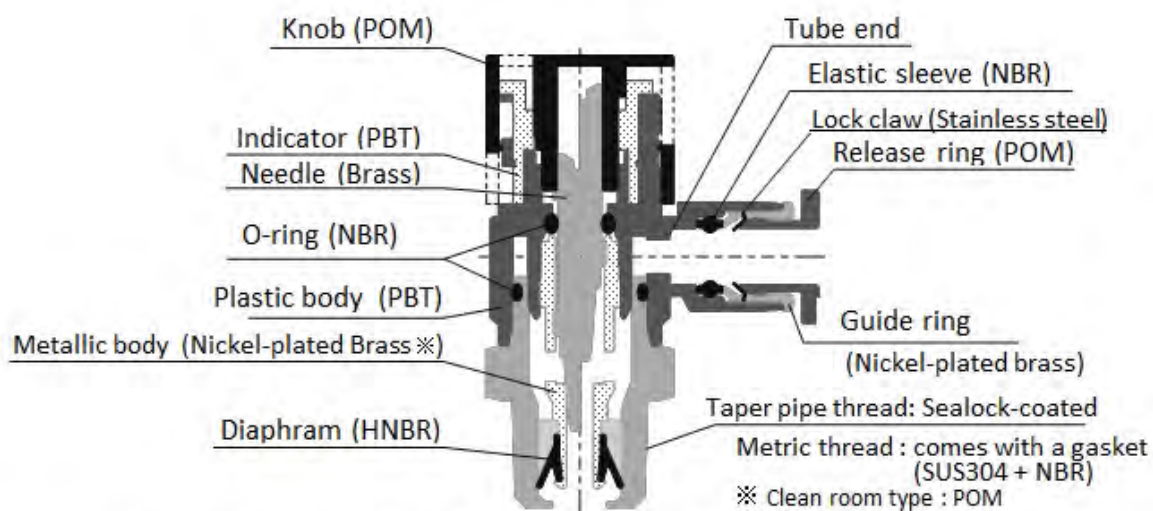


Specification

| | |
|----------------------------|-----------------------------------|
| Fluid medium | Air |
| Service pressure range | 14.5 ~ 145psi (0.1~1.0MPa) |
| Diaphragm opening pressure | 7.25psi (0.05MPa) |
| Service temperature range | 32 ~ 140°F (0~60°C) (no freezing) |

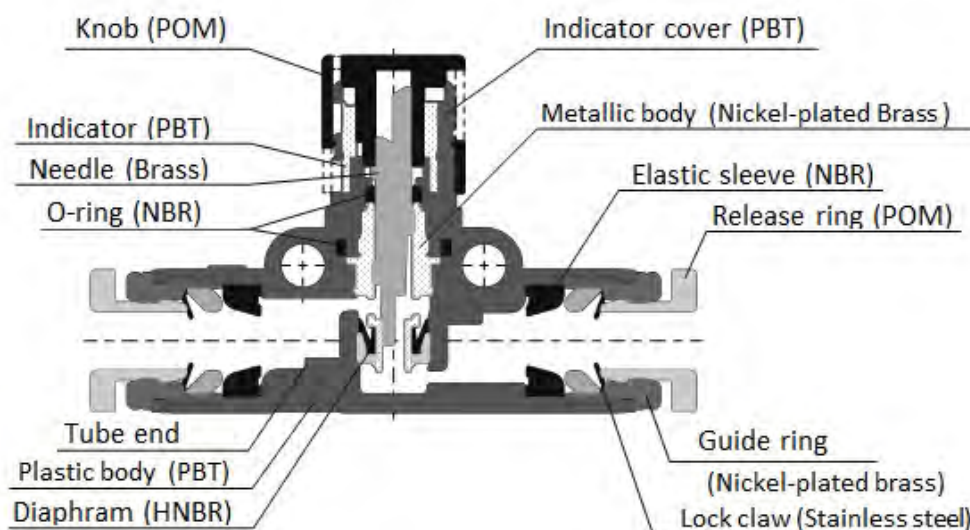
Construction

Elbow type (JSGC)



※. M3 thread : Special stainless steel (Corrosion resistance equivalent to SUS303)

In-line Straight type (JSGU)



Flow Control Valve with Indicator

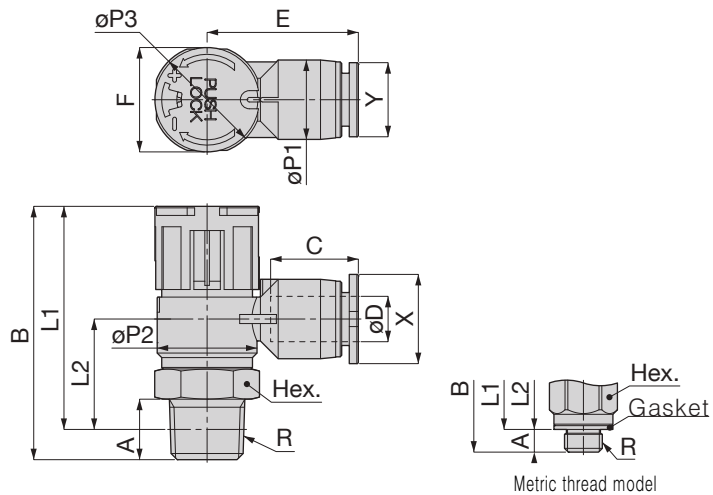
Outside drawing

JSGC Elbow



Meter-out Control

Meter-in Control

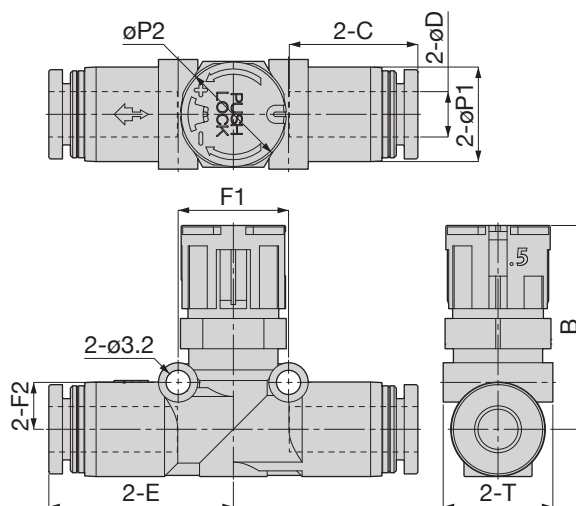


Unit : mm

| Model code | Tubing O.D. ϕD | R | A | B | | L1 | | L2 | $\phi P1$ | $\phi P2$ | $\phi P3$ | Tube End C | E | F | X | Y | Hex. | Weight (g) | | | | | | | | |
|---|-------------------------|--------|-----|--------|------|--------|------|------|-----------|-----------|-----------|---------------|------|------|------|-----|------|---------------|------|------|------|------|------|-----|-----|------|
| | | | | Unlock | Lock | Unlock | Lock | | | | | | | | | | | | | | | | | | | |
| JSGC4-M3 ^[4] _[5] | 4 (5/32") | M3×0.5 | 2.5 | 27.6 | 26.7 | 25.1 | 24.2 | 12.8 | 8 | 9.7 | 10.4 | 11 | 17.3 | 9.8 | 9.8 | 7.8 | 8 | 5.8 | | | | | | | | |
| JSGC4-M5 ^[4] _[5] | | M5×0.8 | 3 | 24.6 | 23.7 | 12 | 8 | 9.7 | | | | | | | | | | 10.4 | 11 | 17.3 | 9.8 | 9.8 | 7.8 | 8 | 6.3 | |
| JSGC4-01 ^[4] _[5] | | R1/8 | 8 | 33.5 | 32.5 | 29.5 | 28.5 | 14.6 | | | | | | | | | | 13.2 | 14.4 | 11.6 | 17.6 | 13.8 | 11.8 | 9.8 | 12 | 12.8 |
| JSGC6-M5 ^[4] _[5] | 6 | M5×0.8 | 3 | 27.6 | 26.7 | 24.6 | 23.7 | 12 | 10.5 | 9.7 | 10.4 | 11.6 | 19.2 | 9.8 | 11.8 | 9.8 | 8 | 6.9 | | | | | | | | |
| JSGC6-01 ^[4] _[5] | | R1/8 | 8 | 33.5 | 32.5 | 29.5 | 28.5 | 14.6 | | | | | | | | | | 13.2 | 14.4 | 11.6 | 20 | 13.8 | 11.8 | 9.8 | 12 | 13.5 |
| JSGC6-02 ^[4] _[5] | | R1/4 | 11 | 39.8 | 38.8 | 33.8 | 32.8 | 17.5 | | | | | | | | | | 16.8 | 14.4 | 11.6 | 22 | 13.8 | 11.8 | 9.8 | 17 | 24.9 |
| JSGC8-01 ^[4] _[5] | 8 (5/16") | R1/8 | 8 | 33.5 | 32.5 | 29.5 | 28.5 | 16.8 | 14.5 | 13.2 | 14.4 | 18.1 | 30.5 | 13.8 | 13.8 | - | 12 | 16.8 | | | | | | | | |
| JSGC8-02 ^[4] _[5] | | R1/4 | 11 | 39.8 | 38.8 | 33.8 | 32.8 | 17.5 | | | | | | | | | | 16.8 | 14.4 | 18.1 | 30.2 | 13.8 | 13.8 | - | 17 | 27.9 |
| JSGC8-03 ^[4] _[5] | | R3/8 | 12 | 48.8 | 47.8 | 42.4 | 41.4 | 25.1 | | | | | | | | | | 21 | 21 | 18.1 | 31.4 | - | 13.8 | - | 19 | 48.7 |
| JSGC10-02 ^[4] _[5] | 10 | R1/4 | 11 | 39.8 | 38.8 | 33.8 | 32.8 | 17.5 | 17.5 | 16.8 | 14.4 | 20.2 | 32.1 | - | 11.8 | 9.8 | 17 | 30.9 | | | | | | | | |
| JSGC10-03 ^[4] _[5] | | R3/8 | 12 | 48.8 | 47.8 | 42.4 | 41.4 | 25.1 | | | | | | | | | | 21 | 21 | 20.2 | 33 | - | 11.8 | 9.8 | 19 | 51.6 |

※ Specify the direction of restricted flow in [4] of Model code and the color in [5] respectively as per Model Designation (Example).

JSGU In-Line Straight



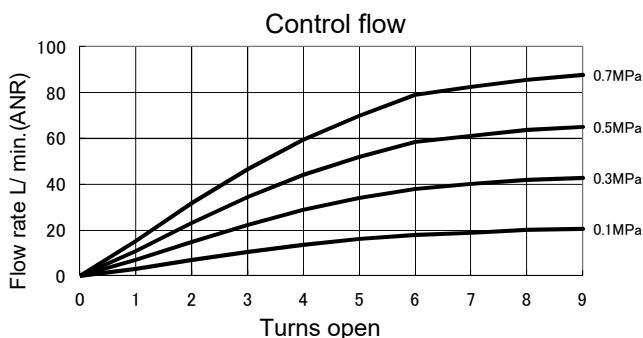
Unit : mm

| Model code | Tubing O.D. ϕD | B | | $\phi P1$ | $\phi P2$ | Tube End C | E | F1 | F2 | T | Weight (g) |
|----------------------|-------------------------|--------|------|-----------|-----------|---------------|------|------|-----|------|---------------|
| | | Unlock | Lock | | | | | | | | |
| JSGU4 ^[5] | 4 (5/32") | 20 | 19.1 | 10 | 10.4 | 14.9 | 21 | 12.7 | 5.3 | 10.5 | 7.8 |
| JSGU6 ^[5] | 6 | 27 | 26 | 12.5 | 14.4 | 17 | 24.4 | 14.8 | 6.2 | 14.5 | 13.6 |
| JSGU8 ^[5] | 8 (5/16") | 28.5 | 27.5 | 14.8 | 14.4 | 18.1 | 28 | 18.2 | 8.4 | 15.4 | 19 |

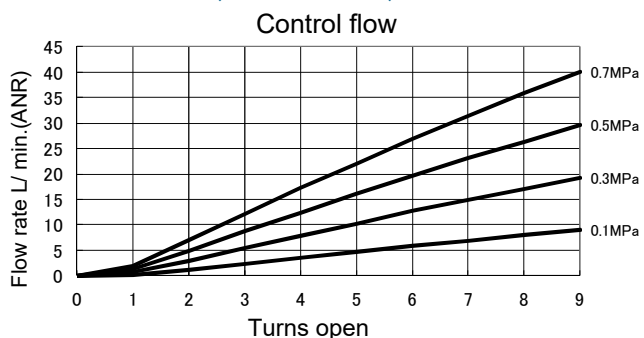
※ Specify the color in [5] of Model code as per Model Designation (Example) on the other page.

Flow characteristics - Restricted Flow/Supply pressure

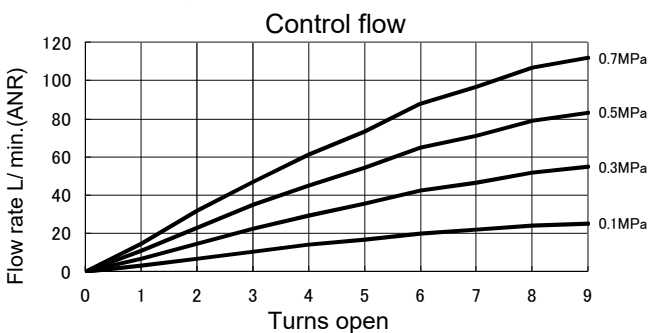
JSGC4-M3□



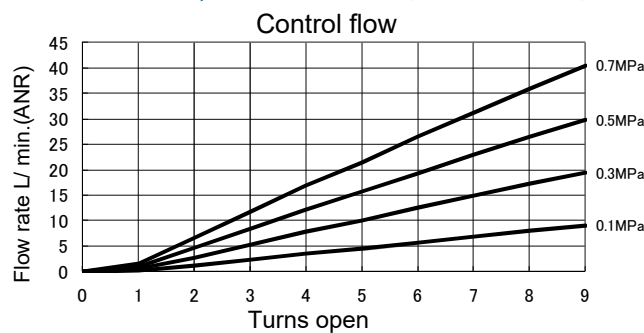
JSGC4-M3□L (Low flow model)



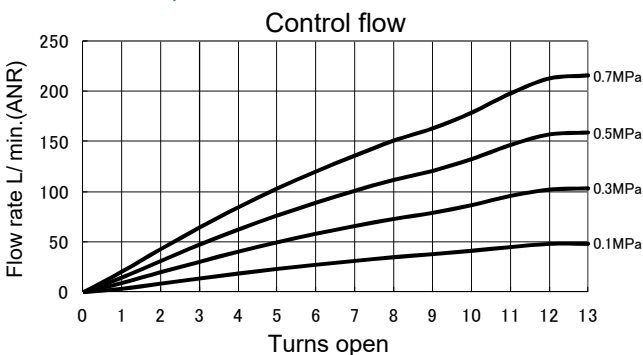
JSGC4-M5□, JSGC6-M5□



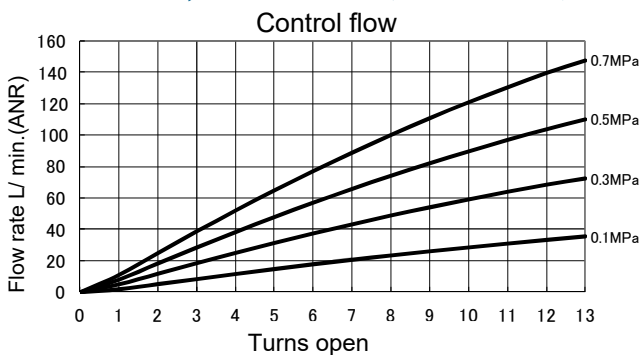
JSGC4-M5□L, JSGC6-M5□L (Low flow model)



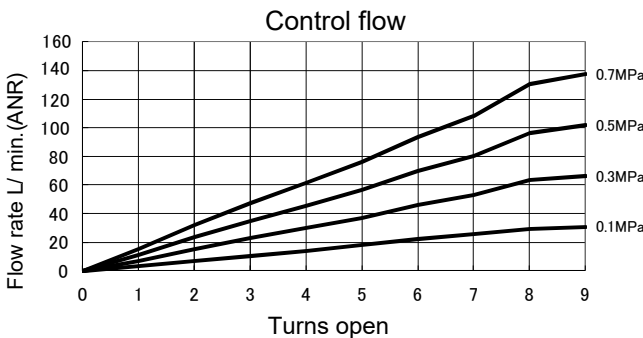
JSGC4-01□, JSGC6-01□



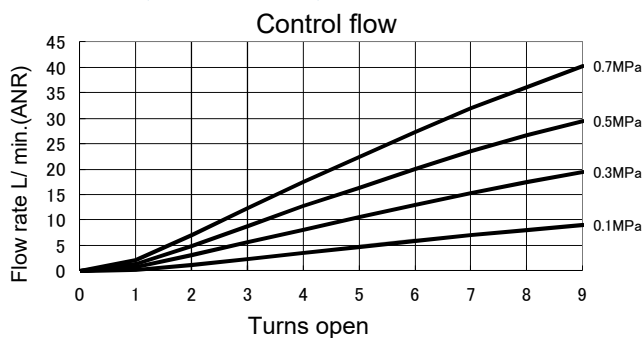
JSGC4-01□L, JSGC6-01□L (Low flow model)



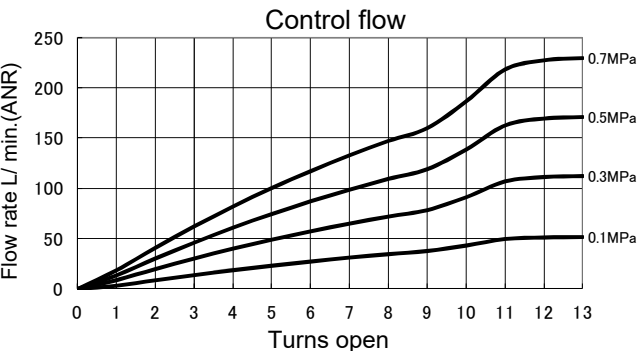
JSGU4



JSGU4L (Low flow model)



JSGU6



JSGU6L (Low flow model)

