
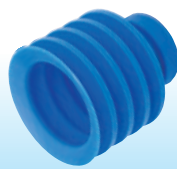




## Bellows Vacuum Cup with FDA Compliant Silicone Rubber



### 4.5 folds bellows

Durometer Shore A		20	40
Coloring/code		Pink /YS2	Blue /YS4
			
Cup size (mm)	ø15	N/A	N/A
	ø20	✓	✓
	ø25	N/A	N/A
	ø30	✓	✓
	ø40	✓	✓
	ø50	✓	✓

### 1.5 folds bellows



Durometer Shore A		20	40
Coloring/code		Pink /YS2	Blue /YS4
			
Cup size (mm)	ø15	N/A	✓
	ø20	✓	✓
	ø25	✓	✓
	ø30	✓	✓
	ø40	✓	✓
	ø50	✓	✓



## Model Designation (Example) for Bellows Cup



**VP** **20** **B** **YS2** → ④. Cup material · hardness

① Vacuum cup

Code	YS2	YS4
Material	FDA compliant soft silicone	
Durometer/Shore A (°)	20	40
		
Color	Pink	Blue

※) The durometer of regular silicone rubber is 50°

③. Folds of bellows

Code	B	W
Folds	1.5	4.5
Bellows		

②. Cup dia.

Code	15	20	25	30	40	50
Size (mm)	ø15	ø20	ø25	ø30	ø40	ø50
Folds	1.5 (B) (※)	✓	✓	✓	✓	✓
	4.5 (W)	N/A	✓	N/A	✓	✓
Connecting code	-M4	-M5, -M6, -U10				

※) YS4(Blue) only

## Model Designation (Example) for Bellows Cup + Fitting

**VP** **20** **B** **YS2** **-M6** **⑥** → ⑥. -S3 Specification

① Vacuum cup



Code	No entry	-S3
Spec.	Standard	Metal parts : No copper alloy Sealing material : FKM or HNBR

※) Material of gasket - Standard/SUS304 + NBR, -S3/SUS316 + FKM

⑤. Cup fitting



Code	-M4	-M5	-M6	-U10
Thread size	M4×0.7	M5×0.8	M6×1	10-32UNF
Cup dia. (mm)	ø15	ø20~ø50		

④. Cup material and hardness

Code	YS2	YS4
Material	FDA compliant soft silicone	
Durometer/Shore A (°)	20	40
		
Color	Pink	Blue

※) The durometer of regular silicone rubber is 50°

③. Folds of bellows

Code	B	W
Folds	1.5	4.5
Bellows		

②. Cup dia.

Code	15	20	25	30	40	50
Size (mm)	ø15	ø20	ø25	ø30	ø40	ø50
Folds	1.5 (B) (※)	✓	✓	✓	✓	✓
	4.5 (W)	N/A	✓	N/A	✓	✓
Connecting code	-M4	-M5, -M6, -U10				

※) YS4(Blue) only

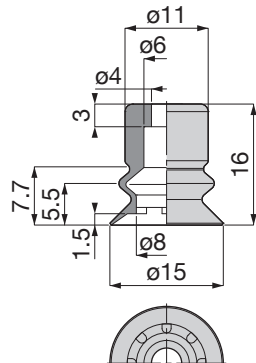
△Caution 1. Carry out a suction test when selecting a model because the silicone material is extremely soft.

- ① The cup can be deformed by the weight of workpiece.
  - ② The lifespan is relatively short.
  - ③ The material is sometimes sticky. The sidewalls of bellows stick each other.
2. When lifting a workpiece, start suctioning with the bellows cup being compressed. If not doing so, it can come to the suction failure or shorten the life of the product.
  3. Pay attentions for storage of the products since they are extremely soft and easy to be deformed.

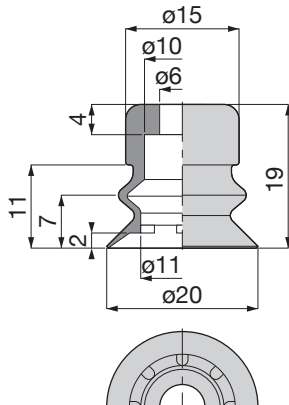
Dimensions for 1.5 folds bellows cup

Unit : mm

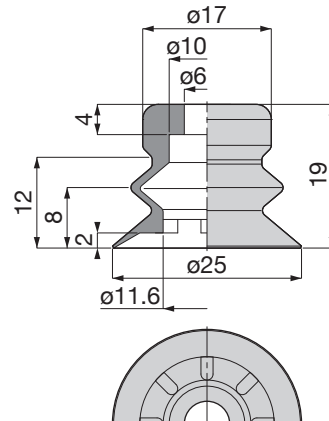
VP15BYS4



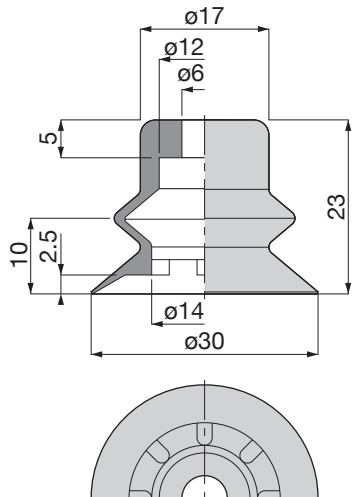
VP20BYS4



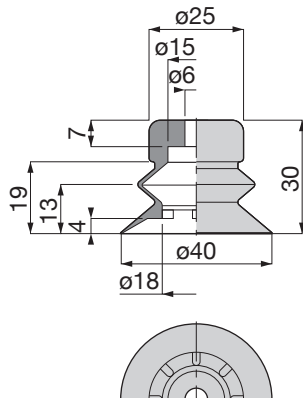
VP25BYS4



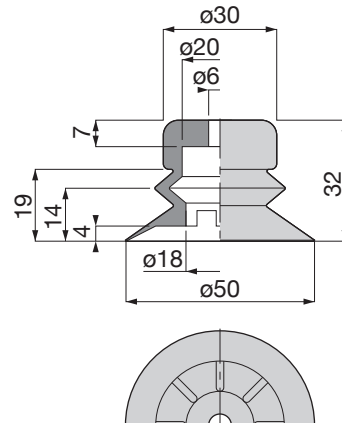
VP30BYS4



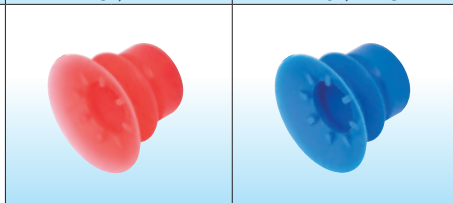
VP40BYS4



VP50BYS4



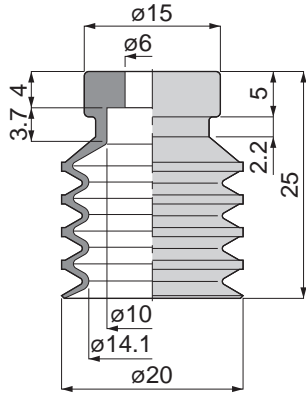
Model	Price (\$) / Weight (g)	
	4 Rubber hardness code	
	2 20°	4 40°
VP15BYS4		7.64 / 1.1
VP20BYS4	7.64 / 1.7	7.64 / 1.8
VP25BYS4	8.18 / 2.3	8.18 / 2.5
VP30BYS4	8.18 / 3.1	8.18 / 3.3
VP40BYS4	9.55 / 8.5	9.55 / 9.1
VP50BYS4	11.45 / 12	11.45 / 13



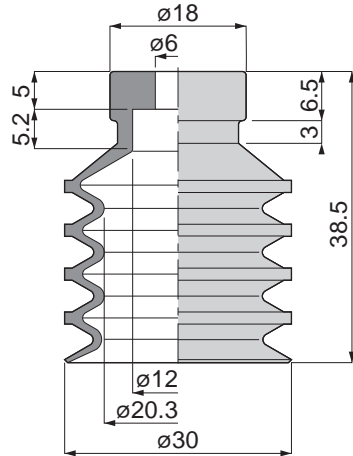
## Dimensions for 4.5 folds bellows cup

Unit : mm

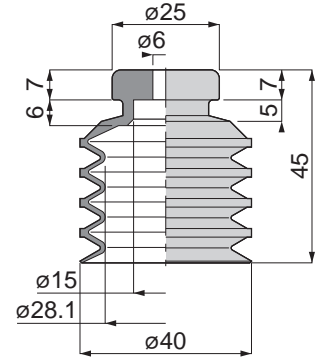
**VP20WYS**<sup>[4]</sup>



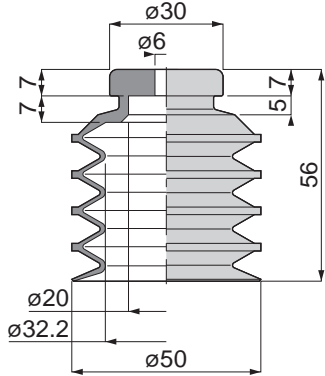
**VP30WYS**<sup>[4]</sup>



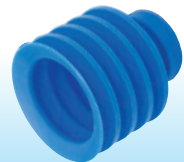
**VP40WYS**<sup>[4]</sup>



**VP50WYS**<sup>[4]</sup>



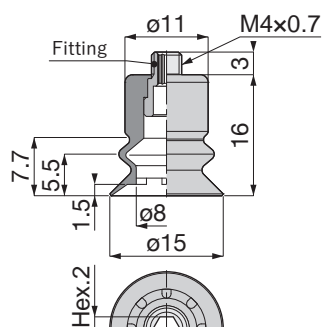
Model	Price (\$) / Weight (g)	
	[4] Rubber hardness code	
	2 20°	4 40°
VP20WYS <sup>[4]</sup>	12.91 / 2.1	12.91 / 2.3
VP30WYS <sup>[4]</sup>	13.91 / 5.8	13.91 / 6.4
VP40WYS <sup>[4]</sup>	16.27 / 13	16.27 / 14
VP50WYS <sup>[4]</sup>	19.64 / 22	19.64 / 23



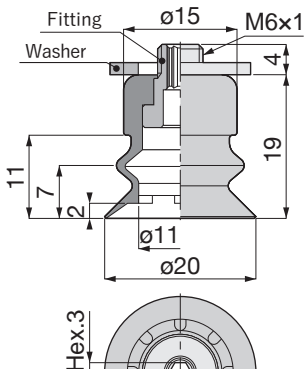
Dimensions for 1.5 folds bellows cup + fitting

Unit : mm

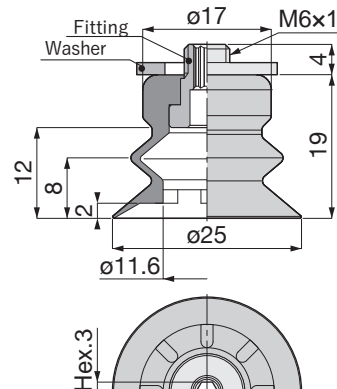
VP15BYS4-M46



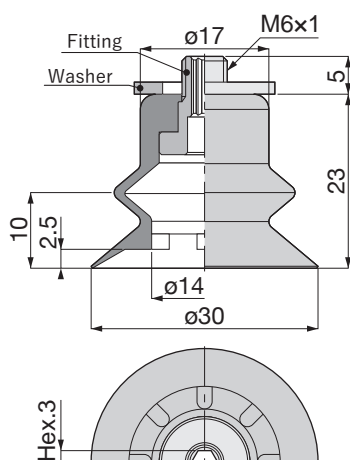
VP20BYS4-M66



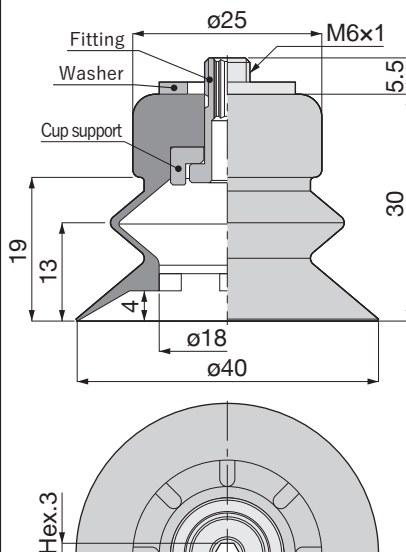
VP25BYS4-M66



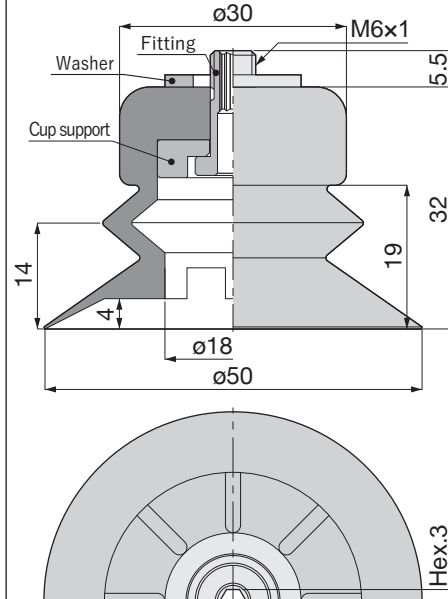
VP30BYS4-M66



VP40BYS4-M66



VP50BYS4-M66



Model	Price (\$) / Weight (g)		Price (\$)	Cup connecting code
	4 Rubber hardness code			
	2 20°	4 40°	-S3 -S3 spec.	
VP15BYS4-M46		9.27 / 1.8	+3.64	-M4
VP20BYS4-M66	10.18 / 4.1	10.18 / 4.3	+3.64	-U10
VP25BYS4-M66	10.73 / 4.8	10.73 / 5.0	+3.64	
VP30BYS4-M66	10.73 / 7.0	10.73 / 7.2	+3.64	-M5
VP40BYS4-M66	13.45 / 16.4	10.45 / 17.1	+3.64	-M6
VP50BYS4-M66	15.64 / 21.0	15.64 / 21.9	+3.64	

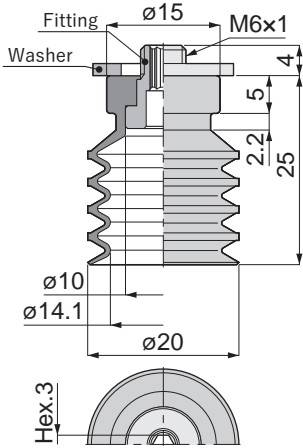


※) Cup connecting code : Choose from -U10, -M4, -M5 and -M6

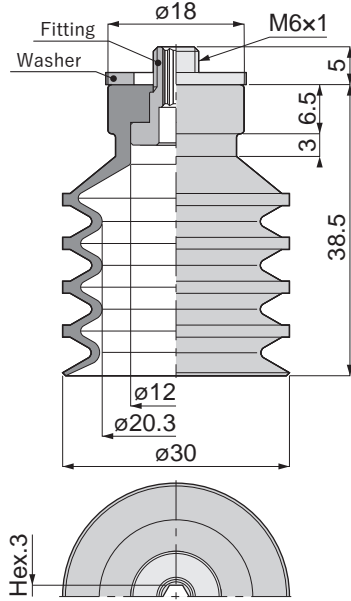
## Dimensions for 4.5 folds of bellows cup + fitting

Unit : mm

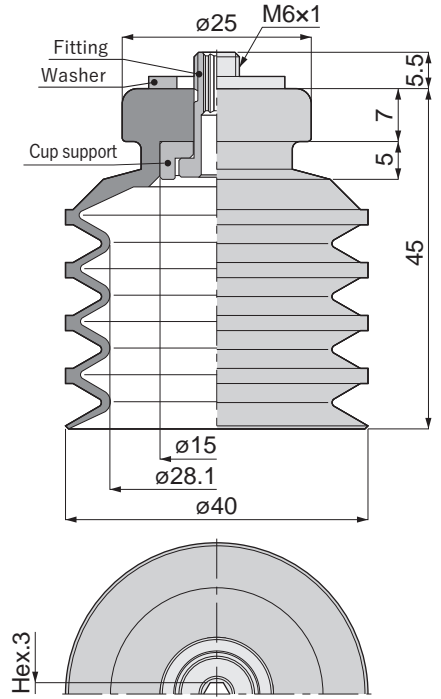
**VP20WYS<sup>[4]</sup>-M6<sup>[6]</sup>**



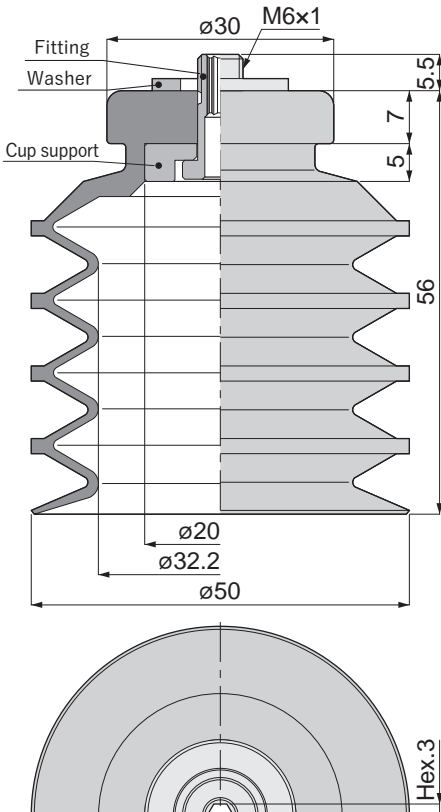
**VP30WYS<sup>[4]</sup>-M6<sup>[6]</sup>**



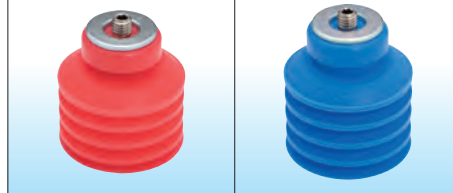
**VP40WYS<sup>[4]</sup>-M6<sup>[6]</sup>**



**VP50WYS<sup>[4]</sup>-M6<sup>[6]</sup>**



Model	Price (\$) / Weight (g)		Price (\$)	Cup connecting code
	[4] Rubber hardness code			
	2 20°	4 40°	-S3 -S3 spec.	
VP20WYS <sup>[4]</sup> -M6 <sup>[6]</sup>	15.45 / 6.5	15.45 / 6.7	+3.64	-U10
VP30WYS <sup>[4]</sup> -M6 <sup>[6]</sup>	16.45 / 11.6	16.45 / 12.3	+3.64	-M5
VP40WYS <sup>[4]</sup> -M6 <sup>[6]</sup>	20.18 / 20.3	20.18 / 21.2	+3.64	-M6
VP50WYS <sup>[4]</sup> -M6 <sup>[6]</sup>	23.82 / 30.8	23.82 / 32.1	+3.64	



※) Cup connecting code : Choose -U10, -M5 and -M6