



## Model Designation (Example) for Plunger alone



①. 真空ヘッド

⑥. -S3 Specification (option)

Code	No entry	-S3
Spec.	Standard	Metal parts : No copper alloy used Seal material : FKM or HNBR

⑤. Vacuum port type and size

Code	Push-in fitting					Barb fitting			Female thread
	-180J	-2J	-3J	-4J	-6J	-3B	-4B	-6B	-M5
Size									
Tube O.D. (mm)	ø1.8	ø2	ø3	ø4	ø6	—	—	—	—
Tube I.D. (mm)	—	—	—	—	—	ø2	ø2.5	ø4	—
Female thread	—	—	—	—	—	—	—	—	M5x0.8

④. Stroke

Code	-10	-15	-20	-25	-30	-40	-50
Stroke (mm)	10	15	20	25	30	40	50


③. Cup type, size and connecting code

Code	-M4		-M6		Code	-M6	
	Connecting	Screw mounting		Connecting		Screw mounting	
Cup dia. (mm)	ø0.7	RM	—	—	Cup size (mm) · Cup type code	2x4	E
	ø1	R, RM	—	—		3.5x7	E
	ø1.5	RM	—	—		4x10	E
	ø2	R, RM, B	—	—		4x20	E
	ø3	R, RM	—	—		4x30	E
	ø4	R, RM, L, B	—	—		5x10	E
	ø6	R, L, LB, B, W	—	—		5x20	E
	ø8	R, L, LB, B, W, P	—	—		5x30	E
	ø10	R, K, L, LB, B, W, P, F, FH, Q	—	S		6x10	E
	ø15	R, A, L, LB, B, P, F, FH	—	S		6x20	E
ø20	P	R, A, K, L, LB, B, W, F, FH, Q, S	—	6x30	E		
ø25	—	R, A, B, F, FH, S	—	8x20	E		
ø30	—	R, A, K, L, B, W, F, FH, Q, S	—	8x30	E		
ø35	—	S	—	—	—		
ø40	—	R, A, L, K, B, W	—	—	—		
ø50	—	R, A, K, B, W, S	—	—	—		

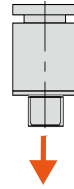
Note) Each Cup type code means:  
 R: Standard plane, A: Standard spheric, RM: Standard miniature, K: Skidproof, B: Bellows, W: Multi-bellows,  
 P: Thin object, F: Flat, FH: High flow flat, Q: Mark-free, S: Sponge, E: Oval, L: Soft, LB: Soft bellows

②. Plunger type

Code	HC
Type	Light-weight Light spring force



# Soft plunging level compensator

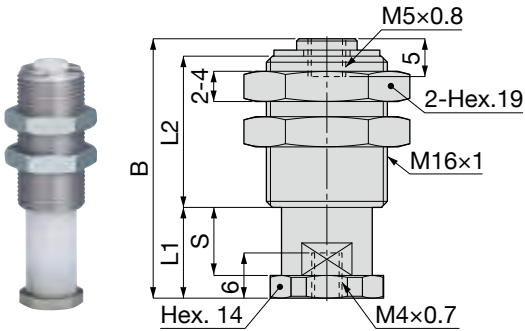


Inch size fitting can be installed

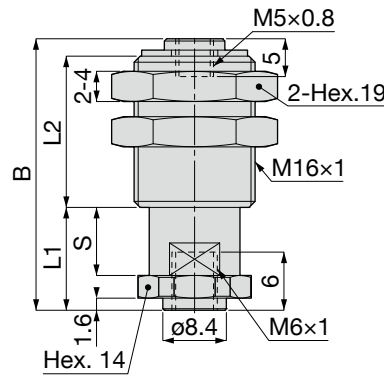
**VPHC**

Female thread type

VPHC-M4<sup>4</sup><sub>5</sub><sub>6</sub>



VPHC-M6<sup>4</sup><sub>5</sub><sub>6</sub>



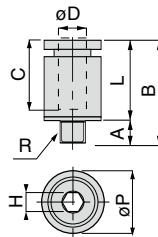
Unit : mm

Model	B	L1	L2	Stroke S	Spring force (N)	Weight (g)	Price (\$)		Vacuum cup Connecting code
							6 : No entry	6 : -S3	
VPHC-M4-10-M5 <sub>6</sub>	36.8	13	21.5	10	1.0 ~ 2.4	18	28.91	34.36	-M4
VPHC-M4-15-M5 <sub>6</sub>	46.8	18	26.5	15	1.0 ~ 2.7	20	30.64	36.09	
VPHC-M4-20-M5 <sub>6</sub>	56.8	23	31.5	20	1.0 ~ 3.0	22	32.36	37.82	
VPHC-M4-25-M5 <sub>6</sub>	67.3	28	37	25		24	34.09	39.55	
VPHC-M4-30-M5 <sub>6</sub>	78.3	33	43	30		26	35.82	41.27	
VPHC-M4-40-M5 <sub>6</sub>	100.3	43	55	40	30	38.18	43.64	-M6	
VPHC-M4-50-M5 <sub>6</sub>	121.8	53	66.5	50	1.0 ~ 3.1	34	40.55		46.00
VPHC-M6-10-M5 <sub>6</sub>	38.4	14.6	21.5	10	1.0 ~ 2.4	17	29.36		34.82
VPHC-M6-15-M5 <sub>6</sub>	48.4	19.6	26.5	15	1.0 ~ 2.7	19	31.09		36.55
VPHC-M6-20-M5 <sub>6</sub>	58.4	24.6	31.5	20	1.0 ~ 3.0	21	32.82		38.27
VPHC-M6-25-M5 <sub>6</sub>	68.9	29.6	37	25		24	34.55		40.00
VPHC-M6-30-M5 <sub>6</sub>	79.9	34.6	43	30		26	36.27	41.73	
VPHC-M6-40-M5 <sub>6</sub>	101.9	44.6	55	40	30	38.64	44.09	-M6	
VPHC-M6-50-M5 <sub>6</sub>	123.4	54.6	66.5	50	1.0 ~ 3.1	34	41.00		46.45

※1) The tightening torque for the panel mount nuts should be 2~3N·m

※2) Specify S3 specification by entering -S3 in 6 of the model code

## For inch tubing O.D. connecting 1/8", 5/32" and 1/4" O.D.



Release-ring dimension



Unit : mm

Model code	Tubing O.D. øD	R	A	B	L	Tube end C	Hex. H	øP	X (øX)	Y	Effective area (mm <sup>2</sup> )	Weight (g)	CAD file name	Price (\$)
POC1/8-M5M	1/8"	M5×0.8	3	15.6	12.6	10.9	2	8	9.8	7.8	3.3	3	POC1_8-M5M	2.18
POC5/32-M5M	5/32"	M5×0.8	3	15.6	12.6	10.9	2.5	8	9.8	7.8	5.1	3	POC5_32-M5M	2.45
POC1/4-M5M	1/4"	M5×0.8	3	17.1	14.1	11.4	2.5	9.8	11.8	9.8	4.8	3.8	POC1_4-M5M	2.36

Note) No "-S" specification is available for these fittings

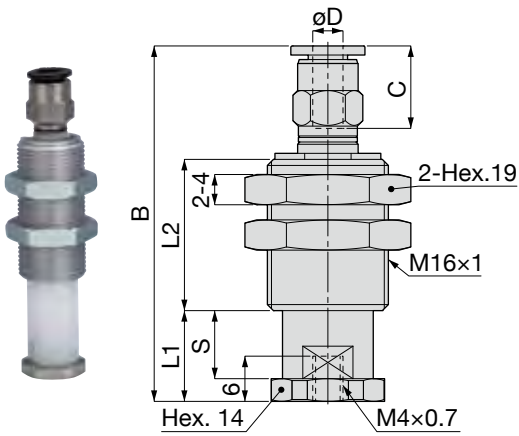
# Soft plunging level compensator

## Dimensions

**VPHC**

Push-in fitting type

VPHC-M4<sup>4</sup><sup>5</sup><sup>6</sup>



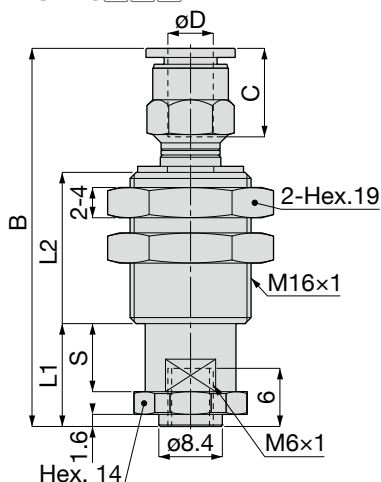
Unit : mm

Model	Tubing O.D. øD	B	L1	L2	Tube End C	Stroke S	Spring force (N)	Weight (g)	Price (\$)		Vacuum cup Connecting code
									<sup>6</sup> : No entry	<sup>6</sup> : -S3	
VPHC-M4-10-180J	1.8	45.6	13	21.5	8.4	10	1.0 ~ 2.4	20	31.27	—	—
VPHC-M4-10-2J	2				—						
VPHC-M4-10-3J	3	49.4	13	21.5	10.9	10	1.0 ~ 2.4	21	30.82	—	—
VPHC-M4-10-4J <sup>6</sup>	4				31.18				46.00		
VPHC-M4-10-6J <sup>6</sup>	6	50.8	13	21.5	11.7	10	1.0 ~ 2.4	22	31.27	47.73	—
VPHC-M4-15-180J	1.8	55.6			18				26.5	8.4	
VPHC-M4-15-2J	2		—								
VPHC-M4-15-3J	3	59.4	18	26.5	10.9	15	1.0 ~ 2.7	23	32.55	—	—
VPHC-M4-15-4J <sup>6</sup>	4				32.91				47.73		
VPHC-M4-15-6J <sup>6</sup>	6	60.8	18	26.5	11.7	15	1.0 ~ 2.7	24	33.00	49.45	—
VPHC-M4-20-180J	1.8	65.6			23				31.5	8.4	
VPHC-M4-20-2J	2		—								
VPHC-M4-20-3J	3	69.4	23	31.5	10.9	20	1.0 ~ 3.0	25	34.27	—	—
VPHC-M4-20-4J <sup>6</sup>	4				34.64				49.45		
VPHC-M4-20-6J <sup>6</sup>	6	70.8	23	31.5	11.7	20	1.0 ~ 3.0	26	34.72	51.18	—
VPHC-M4-25-180J	1.8	76.1			28				37	8.4	
VPHC-M4-25-2J	2		—								
VPHC-M4-25-3J	3	79.9	28	37	10.9	25	1.0 ~ 3.0	27	36.00	—	-M4
VPHC-M4-25-4J <sup>6</sup>	4				36.36				51.18		
VPHC-M4-25-6J <sup>6</sup>	6	81.3	28	37	11.7	25	1.0 ~ 3.0	28	36.14	52.91	—
VPHC-M4-30-180J	1.8	87.1			33				43	8.4	
VPHC-M4-30-2J	2		—								
VPHC-M4-30-3J	3	90.9	33	43	10.9	30	1.0 ~ 3.0	29	37.73	—	—
VPHC-M4-30-4J <sup>6</sup>	4				38.09				52.91		
VPHC-M4-30-6J <sup>6</sup>	6	92.3	33	43	11.7	30	1.0 ~ 3.0	30	38.18	54.64	—
VPHC-M4-40-180J	1.8	109.1			43				55	8.4	
VPHC-M4-40-2J	2		—								
VPHC-M4-40-3J	3	112.9	43	55	10.9	40	1.0 ~ 3.0	33	40.09	—	—
VPHC-M4-40-4J <sup>6</sup>	4				40.45				55.27		
VPHC-M4-40-6J <sup>6</sup>	6	114.3	43	55	11.7	40	1.0 ~ 3.0	35	40.55	57.00	—
VPHC-M4-50-180J	1.8	130.6			53				66.5	8.4	
VPHC-M4-50-2J	2		—								
VPHC-M4-50-3J	3	134.4	53	66.5	10.9	50	1.0 ~ 3.1	38	42.45	—	—
VPHC-M4-50-4J <sup>6</sup>	4				42.82				57.64		
VPHC-M4-50-6J <sup>6</sup>	6	135.8	53	66.5	11.7	50	1.0 ~ 3.1	39	42.91	59.36	—

※1) The tightening torque for the panel mount nuts should be 2~3N·m

※2) Specify S3 specification by entering -S3 in <sup>6</sup> of the model code

VPHC-M6<sup>4</sup><sub>5</sub><sup>6</sup>



Unit : mm

Model	Tubing O.D. øD	B	L1	L2	Tube End C	Stroke S	Spring force (N)	Weight (g)	Price (\$)		Vacuum cup Connecting code			
									<sup>6</sup> : No entry	<sup>6</sup> : -S3				
VPHC-M6-10-180J	1.8	47.2	14.6	21.5	8.4	10	1.0 ~ 2.4	20	31.73	—	-M6			
VPHC-M6-10-2J	2				—									
VPHC-M6-10-3J	3	51	14.6	21.5	10.9	10	1.0 ~ 2.4	21	31.27	—				
VPHC-M6-10-4J <sup>6</sup>	4				31.64				46.45					
VPHC-M6-10-6J <sup>6</sup>	6	52.4	11.7	22	31.73	48.18								
VPHC-M6-15-180J	1.8	57.2	19.6	26.5	8.4	15	1.0 ~ 2.7	22	33.45	—				
VPHC-M6-15-2J	2				—									
VPHC-M6-15-3J	3	61	19.6	26.5	10.9	15	1.0 ~ 2.7	23	33.00	—				
VPHC-M6-15-4J <sup>6</sup>	4				33.36				48.18					
VPHC-M6-15-6J <sup>6</sup>	6	62.4	11.7	24	33.45	49.91								
VPHC-M6-20-180J	1.8	67.2	24.6	31.5	8.4	20	1.0 ~ 3.0	24	35.18	—				
VPHC-M6-20-2J	2				—									
VPHC-M6-20-3J	3	71	24.6	31.5	10.9	20		25	34.73	—				
VPHC-M6-20-4J <sup>6</sup>	4				35.09				49.91					
VPHC-M6-20-6J <sup>6</sup>	6	72.4	11.7	26	35.18	51.64								
VPHC-M6-25-180J	1.8	77.7	29.6	37	8.4	25		1.0 ~ 3.0	26	36.91		—		
VPHC-M6-25-2J	2				—									
VPHC-M6-25-3J	3	81.5	29.6	37	10.9	25		1.0 ~ 3.0	27	36.45		—		
VPHC-M6-25-4J <sup>6</sup>	4				36.82					51.64				
VPHC-M6-25-6J <sup>6</sup>	6	82.9	11.7	28	36.91	53.36								
VPHC-M6-30-180J	1.8	88.7	34.6	43	8.4	30		1.0 ~ 3.0	28	38.64		—		
VPHC-M6-30-2J	2				—									
VPHC-M6-30-3J	3	92.5	34.6	43	10.9	30			30	38.18		—		
VPHC-M6-30-4J <sup>6</sup>	4				38.55					53.36				
VPHC-M6-30-6J <sup>6</sup>	6	93.9	11.7	30	38.64	55.09								
VPHC-M6-40-180J	1.8	110.7	44.6	55	8.4	40			1.0 ~ 3.0	32	41.00	—		
VPHC-M6-40-2J	2				—									
VPHC-M6-40-3J	3	114.5	44.6	55	10.9	40				40	40.55	—		
VPHC-M6-40-4J <sup>6</sup>	4				40.91						55.73			
VPHC-M6-40-6J <sup>6</sup>	6	115.9	11.7	34	41.00	57.45								
VPHC-M6-50-180J	1.8	132.2	54.6	66.5	8.4	50				1.0 ~ 3.1	36	43.36	—	
VPHC-M6-50-2J	2				—									
VPHC-M6-50-3J	3	136	54.6	66.5	10.9	50					50	38	42.91	—
VPHC-M6-50-4J <sup>6</sup>	4				37							43.27	58.09	
VPHC-M6-50-6J <sup>6</sup>	6	137.4	11.7	39	43.36	59.82								

※1) The tightening torque for the panel mount nuts should be 2~3N·m

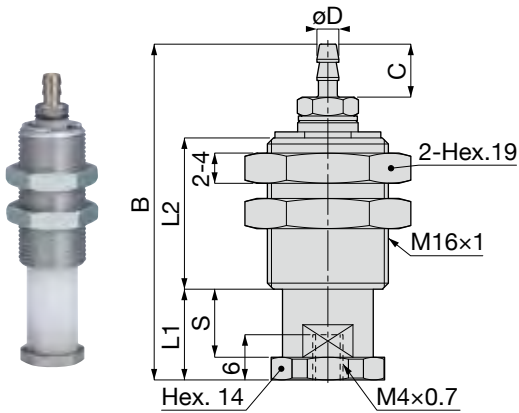
※2) Specify S3 specification by entering -S3 in <sup>6</sup> of the model code

# Soft plunging level compensator

**VPHC**

Barb fitting type

VPHC-M4<sup>4</sup><sub>5</sub><sup>6</sup>



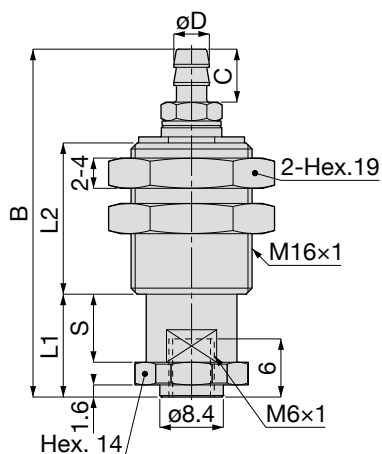
Unit : mm

Model	Tubing O.D. øD	B	L1	L2	Tube End C	Stroke S	Spring force (N)	Weight (g)	Price (\$)		Vacuum cup Connecting code
									<sup>6</sup> : No entry	<sup>6</sup> : -S3	
VPHC-M4-10-3B <sup>6</sup>	2	45.3	13	21.5	6	10	1.0 ~ 2.4	19	29.45	36.73	-M4
VPHC-M4-10-4B <sup>6</sup>	2.5	46.8			7						
VPHC-M4-10-6B <sup>6</sup>	4				6						
VPHC-M4-15-3B <sup>6</sup>	2	55.3	18	26.5	6	15	1.0 ~ 2.7	21	31.18	38.45	
VPHC-M4-15-4B <sup>6</sup>	2.5	56.8			7						
VPHC-M4-15-6B <sup>6</sup>	4				6						
VPHC-M4-20-3B <sup>6</sup>	2	65.3	23	31.5	6	20	1.0 ~ 3.0	23	32.91	40.18	
VPHC-M4-20-4B <sup>6</sup>	2.5	66.8			7						
VPHC-M4-20-6B <sup>6</sup>	4				6						
VPHC-M4-25-3B <sup>6</sup>	2	75.8	28	37	6	25	1.0 ~ 3.0	25	34.64	41.91	
VPHC-M4-25-4B <sup>6</sup>	2.5	77.3			7						
VPHC-M4-25-6B <sup>6</sup>	4				6						
VPHC-M4-30-3B <sup>6</sup>	2	86.8	33	43	6	30	1.0 ~ 3.0	27	36.36	43.64	
VPHC-M4-30-4B <sup>6</sup>	2.5	88.3			7						
VPHC-M4-30-6B <sup>6</sup>	4				6						
VPHC-M4-40-3B <sup>6</sup>	2	108.8	43	55	6	40	1.0 ~ 3.0	31	38.73	46.00	
VPHC-M4-40-4B <sup>6</sup>	2.5	110.3			7						
VPHC-M4-40-6B <sup>6</sup>	4				6						
VPHC-M4-50-3B <sup>6</sup>	2	130.3	53	66.5	6	50	1.0 ~ 3.1	36	41.09	48.36	
VPHC-M4-50-4B <sup>6</sup>	2.5	131.8			7						
VPHC-M4-50-6B <sup>6</sup>	4				6						

※1) The tightening torque for the panel mount nuts should be 2~3N·m

※2) Specify S3 specification by entering -S3 in <sup>6</sup> of the model code

VPHC-M6<sup>4</sup><sub>5</sub><sup>6</sup>



Unit : mm

Model	Tubing O.D. øD	B	L1	L2	Tube End C	Stroke S	Spring force (N)	Weight (g)	Price (\$)		Vacuum cup Connecting code
									<sup>6</sup> : No entry	<sup>6</sup> : -S3	
VPHC-M6-10-3B <sup>6</sup>	2	46.9	14.6	21.5	6	10	1.0 ~ 2.4	19	29.91	37.18	-M6
VPHC-M6-10-4B <sup>6</sup>	2.5	48.4			7						
VPHC-M6-10-6B <sup>6</sup>	4	48.4			7						
VPHC-M6-15-3B <sup>6</sup>	2	56.9	19.6	26.5	6	15	1.0 ~ 2.7	21	31.64	38.91	
VPHC-M6-15-4B <sup>6</sup>	2.5	58.4			7						
VPHC-M6-15-6B <sup>6</sup>	4	58.4			7						
VPHC-M6-20-3B <sup>6</sup>	2	66.9	24.6	31.5	6	20	1.0 ~ 3.0	23	33.36	40.64	
VPHC-M6-20-4B <sup>6</sup>	2.5	68.4			7						
VPHC-M6-20-6B <sup>6</sup>	4	68.4			7						
VPHC-M6-25-3B <sup>6</sup>	2	77.4	29.6	37	6	25	1.0 ~ 3.0	25	35.09	42.36	
VPHC-M6-25-4B <sup>6</sup>	2.5	78.9			7						
VPHC-M6-25-6B <sup>6</sup>	4	78.9			7						
VPHC-M6-30-3B <sup>6</sup>	2	88.4	34.6	43	6	30	1.0 ~ 3.0	27	36.82	44.09	
VPHC-M6-30-4B <sup>6</sup>	2.5	89.9			7			28			
VPHC-M6-30-6B <sup>6</sup>	4	89.9			7			28			
VPHC-M6-40-3B <sup>6</sup>	2	110.4	44.6	55	6	40	1.0 ~ 3.0	31	39.18	46.45	
VPHC-M6-40-4B <sup>6</sup>	2.5	111.9			7			32			
VPHC-M6-40-6B <sup>6</sup>	4	111.9			7			32			
VPHC-M6-50-3B <sup>6</sup>	2	131.9	54.6	66.5	6	50	1.0 ~ 3.1	36	41.55	48.82	
VPHC-M6-50-4B <sup>6</sup>	2.5	133.4			7						
VPHC-M6-50-6B <sup>6</sup>	4	133.4			7						

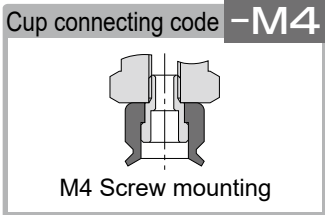
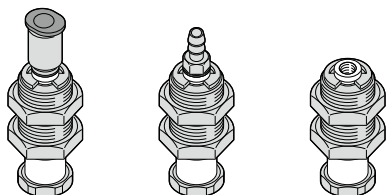
※1) The tightening torque for the panel mount nuts should be 2~3N·m

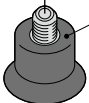
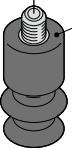
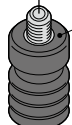
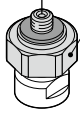
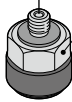
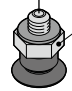
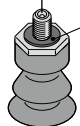

※2) Specify S3 specification by entering -S3 in <sup>6</sup> of the model code

# Level compensator/Suspension and applicable cups

● Cup dia.:  $\varnothing 0.7$ ,  $\varnothing 1$ ,  $\varnothing 1.5$ ,  $\varnothing 2$ ,  $\varnothing 3$ ,  $\varnothing 4$ ,  $\varnothing 6$ ,  $\varnothing 8$ ,  $\varnothing 10$ ,  $\varnothing 15$  and ( $\varnothing 20$ mm of Thin object type) — Cup connecting code **-M4**

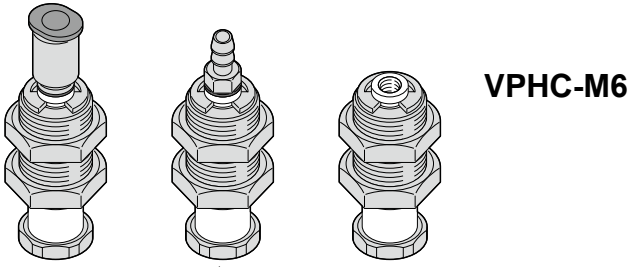
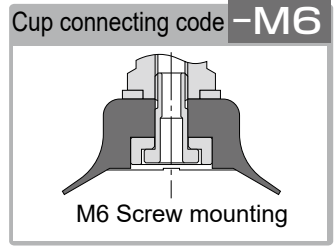
**VPHC-M4**



 <p>Standard plane type cup+connecting screw</p> <table border="1"> <thead> <tr> <th>Model code for set</th> <th>Cup dia.</th> </tr> </thead> <tbody> <tr><td>VP1R[5]-M4</td><td><math>\varnothing 1</math>mm</td></tr> <tr><td>VP2R[5]-M4</td><td><math>\varnothing 2</math>mm</td></tr> <tr><td>VP3R[5]-M4</td><td><math>\varnothing 3</math>mm</td></tr> <tr><td>VP4R[5]-M4</td><td><math>\varnothing 4</math>mm</td></tr> <tr><td>VP6R[5]-M4</td><td><math>\varnothing 6</math>mm</td></tr> <tr><td>VP8R[5]-M4</td><td><math>\varnothing 8</math>mm</td></tr> <tr><td>VP10R[5]-M4</td><td><math>\varnothing 10</math>mm</td></tr> <tr><td>VP15R[5]-M4</td><td><math>\varnothing 15</math>mm</td></tr> </tbody> </table> <p>Standard spheric type cup+connecting screw</p> <table border="1"> <thead> <tr> <th>Model code for set</th> <th>Cup dia.</th> </tr> </thead> <tbody> <tr><td>VP15A[5]-M4</td><td><math>\varnothing 15</math>mm</td></tr> </tbody> </table> <p>Skidproof type cup+connecting screw</p> <table border="1"> <thead> <tr> <th>Model code for set</th> <th>Cup dia.</th> </tr> </thead> <tbody> <tr><td>VP10K[5]-M4[9]</td><td><math>\varnothing 10</math>mm</td></tr> </tbody> </table> <p>Standard miniature type cup+connecting screw</p> <table border="1"> <thead> <tr> <th>Model code for set</th> <th>Cup dia.</th> </tr> </thead> <tbody> <tr><td>VP0.7RM[5]-M4</td><td><math>\varnothing 0.7</math>mm</td></tr> <tr><td>VP1RM[5]-M4</td><td><math>\varnothing 1</math>mm</td></tr> <tr><td>VP1.5RM[5]-M4</td><td><math>\varnothing 1.5</math>mm</td></tr> <tr><td>VP2RM[5]-M4</td><td><math>\varnothing 2</math>mm</td></tr> <tr><td>VP3RM[5]-M4</td><td><math>\varnothing 3</math>mm</td></tr> <tr><td>VP4RM[5]-M4</td><td><math>\varnothing 4</math>mm</td></tr> </tbody> </table>	Model code for set	Cup dia.	VP1R[5]-M4	$\varnothing 1$ mm	VP2R[5]-M4	$\varnothing 2$ mm	VP3R[5]-M4	$\varnothing 3$ mm	VP4R[5]-M4	$\varnothing 4$ mm	VP6R[5]-M4	$\varnothing 6$ mm	VP8R[5]-M4	$\varnothing 8$ mm	VP10R[5]-M4	$\varnothing 10$ mm	VP15R[5]-M4	$\varnothing 15$ mm	Model code for set	Cup dia.	VP15A[5]-M4	$\varnothing 15$ mm	Model code for set	Cup dia.	VP10K[5]-M4[9]	$\varnothing 10$ mm	Model code for set	Cup dia.	VP0.7RM[5]-M4	$\varnothing 0.7$ mm	VP1RM[5]-M4	$\varnothing 1$ mm	VP1.5RM[5]-M4	$\varnothing 1.5$ mm	VP2RM[5]-M4	$\varnothing 2$ mm	VP3RM[5]-M4	$\varnothing 3$ mm	VP4RM[5]-M4	$\varnothing 4$ mm	 <p>Bellows type cup+connecting screw</p> <table border="1"> <thead> <tr> <th>Model code for set</th> <th>Cup dia.</th> </tr> </thead> <tbody> <tr><td>VP2B[5]-M4</td><td><math>\varnothing 2</math>mm</td></tr> <tr><td>VP4B[5]-M4</td><td><math>\varnothing 4</math>mm</td></tr> <tr><td>VP6B[5]-M4</td><td><math>\varnothing 6</math>mm</td></tr> <tr><td>VP8B[5]-M4</td><td><math>\varnothing 8</math>mm</td></tr> <tr><td>VP10B[5]-M4</td><td><math>\varnothing 10</math>mm</td></tr> <tr><td>VP15B[5]-M4</td><td><math>\varnothing 15</math>mm</td></tr> </tbody> </table> <p>Mark-free resin attachment (Option)</p> <table border="1"> <thead> <tr> <th>Model code for resin</th> <th>Cup dia.</th> </tr> </thead> <tbody> <tr><td>VP10BQ[8]-AT</td><td><math>\varnothing 10</math>mm</td></tr> <tr><td>VP15BQ[8]-AT</td><td><math>\varnothing 15</math>mm</td></tr> </tbody> </table>	Model code for set	Cup dia.	VP2B[5]-M4	$\varnothing 2$ mm	VP4B[5]-M4	$\varnothing 4$ mm	VP6B[5]-M4	$\varnothing 6$ mm	VP8B[5]-M4	$\varnothing 8$ mm	VP10B[5]-M4	$\varnothing 10$ mm	VP15B[5]-M4	$\varnothing 15$ mm	Model code for resin	Cup dia.	VP10BQ[8]-AT	$\varnothing 10$ mm	VP15BQ[8]-AT	$\varnothing 15$ mm	 <p>Multi-bellows type cup+connecting screw</p> <table border="1"> <thead> <tr> <th>Model code for set</th> <th>Cup dia.</th> </tr> </thead> <tbody> <tr><td>VP6W[5]-M4</td><td><math>\varnothing 6</math>mm</td></tr> <tr><td>VP8W[5]-M4</td><td><math>\varnothing 8</math>mm</td></tr> <tr><td>VP10W[5]-M4</td><td><math>\varnothing 10</math>mm</td></tr> </tbody> </table>	Model code for set	Cup dia.	VP6W[5]-M4	$\varnothing 6$ mm	VP8W[5]-M4	$\varnothing 8$ mm	VP10W[5]-M4	$\varnothing 10$ mm
Model code for set	Cup dia.																																																																					
VP1R[5]-M4	$\varnothing 1$ mm																																																																					
VP2R[5]-M4	$\varnothing 2$ mm																																																																					
VP3R[5]-M4	$\varnothing 3$ mm																																																																					
VP4R[5]-M4	$\varnothing 4$ mm																																																																					
VP6R[5]-M4	$\varnothing 6$ mm																																																																					
VP8R[5]-M4	$\varnothing 8$ mm																																																																					
VP10R[5]-M4	$\varnothing 10$ mm																																																																					
VP15R[5]-M4	$\varnothing 15$ mm																																																																					
Model code for set	Cup dia.																																																																					
VP15A[5]-M4	$\varnothing 15$ mm																																																																					
Model code for set	Cup dia.																																																																					
VP10K[5]-M4[9]	$\varnothing 10$ mm																																																																					
Model code for set	Cup dia.																																																																					
VP0.7RM[5]-M4	$\varnothing 0.7$ mm																																																																					
VP1RM[5]-M4	$\varnothing 1$ mm																																																																					
VP1.5RM[5]-M4	$\varnothing 1.5$ mm																																																																					
VP2RM[5]-M4	$\varnothing 2$ mm																																																																					
VP3RM[5]-M4	$\varnothing 3$ mm																																																																					
VP4RM[5]-M4	$\varnothing 4$ mm																																																																					
Model code for set	Cup dia.																																																																					
VP2B[5]-M4	$\varnothing 2$ mm																																																																					
VP4B[5]-M4	$\varnothing 4$ mm																																																																					
VP6B[5]-M4	$\varnothing 6$ mm																																																																					
VP8B[5]-M4	$\varnothing 8$ mm																																																																					
VP10B[5]-M4	$\varnothing 10$ mm																																																																					
VP15B[5]-M4	$\varnothing 15$ mm																																																																					
Model code for resin	Cup dia.																																																																					
VP10BQ[8]-AT	$\varnothing 10$ mm																																																																					
VP15BQ[8]-AT	$\varnothing 15$ mm																																																																					
Model code for set	Cup dia.																																																																					
VP6W[5]-M4	$\varnothing 6$ mm																																																																					
VP8W[5]-M4	$\varnothing 8$ mm																																																																					
VP10W[5]-M4	$\varnothing 10$ mm																																																																					
	 <p>Mark-free type cup+Flexible fitting</p> <table border="1"> <thead> <tr> <th>Model code for set</th> <th>Cup dia.</th> </tr> </thead> <tbody> <tr><td>VP10Q[5]-M4</td><td><math>\varnothing 10</math>mm</td></tr> </tbody> </table>	Model code for set	Cup dia.	VP10Q[5]-M4	$\varnothing 10$ mm	 <p>Flat type cup+connecting screw</p> <table border="1"> <thead> <tr> <th>Model code for set</th> <th>Cup dia.</th> </tr> </thead> <tbody> <tr><td>VP10F[5]-M4</td><td><math>\varnothing 10</math>mm</td></tr> <tr><td>VP15F[5]-M4</td><td><math>\varnothing 15</math>mm</td></tr> </tbody> </table> <p>Flat high flow type cup+connecting screw</p> <table border="1"> <thead> <tr> <th>Model code for set</th> <th>Cup dia.</th> </tr> </thead> <tbody> <tr><td>VP10FH[5]-M4</td><td><math>\varnothing 10</math>mm</td></tr> <tr><td>VP15FH[5]-M4</td><td><math>\varnothing 15</math>mm</td></tr> </tbody> </table>	Model code for set	Cup dia.	VP10F[5]-M4	$\varnothing 10$ mm	VP15F[5]-M4	$\varnothing 15$ mm	Model code for set	Cup dia.	VP10FH[5]-M4	$\varnothing 10$ mm	VP15FH[5]-M4	$\varnothing 15$ mm																																																				
Model code for set	Cup dia.																																																																					
VP10Q[5]-M4	$\varnothing 10$ mm																																																																					
Model code for set	Cup dia.																																																																					
VP10F[5]-M4	$\varnothing 10$ mm																																																																					
VP15F[5]-M4	$\varnothing 15$ mm																																																																					
Model code for set	Cup dia.																																																																					
VP10FH[5]-M4	$\varnothing 10$ mm																																																																					
VP15FH[5]-M4	$\varnothing 15$ mm																																																																					
		 <p>Extrathin object type cup+connecting screw</p> <table border="1"> <thead> <tr> <th>Model code for set</th> <th>Cup dia.</th> </tr> </thead> <tbody> <tr><td>VP8P[5]-M4</td><td><math>\varnothing 8</math>mm</td></tr> <tr><td>VP10P[5]-M4</td><td><math>\varnothing 10</math>mm</td></tr> <tr><td>VP15P[5]-M4</td><td><math>\varnothing 15</math>mm</td></tr> <tr><td>VP20P[5]-M4</td><td><math>\varnothing 20</math>mm</td></tr> </tbody> </table>	Model code for set	Cup dia.	VP8P[5]-M4	$\varnothing 8$ mm	VP10P[5]-M4	$\varnothing 10$ mm	VP15P[5]-M4	$\varnothing 15$ mm	VP20P[5]-M4	$\varnothing 20$ mm																																																										
Model code for set	Cup dia.																																																																					
VP8P[5]-M4	$\varnothing 8$ mm																																																																					
VP10P[5]-M4	$\varnothing 10$ mm																																																																					
VP15P[5]-M4	$\varnothing 15$ mm																																																																					
VP20P[5]-M4	$\varnothing 20$ mm																																																																					
	 <p>Soft bellows type cup+connecting screw</p> <table border="1"> <thead> <tr> <th>Model code for set</th> <th>Cup dia.</th> </tr> </thead> <tbody> <tr><td>VP6LB[5]-M4</td><td><math>\varnothing 6</math>mm</td></tr> <tr><td>VP8LB[5]-M4</td><td><math>\varnothing 8</math>mm</td></tr> <tr><td>VP10LB[5]-M4</td><td><math>\varnothing 10</math>mm</td></tr> <tr><td>VP15LB[5]-M4</td><td><math>\varnothing 15</math>mm</td></tr> </tbody> </table>	Model code for set	Cup dia.	VP6LB[5]-M4	$\varnothing 6$ mm	VP8LB[5]-M4	$\varnothing 8$ mm	VP10LB[5]-M4	$\varnothing 10$ mm	VP15LB[5]-M4	$\varnothing 15$ mm	 <p>Soft type cup+connecting screw</p> <table border="1"> <thead> <tr> <th>Model code for set</th> <th>Cup dia.</th> </tr> </thead> <tbody> <tr><td>VP4L[5]-M4</td><td><math>\varnothing 4</math>mm</td></tr> <tr><td>VP6L[5]-M4</td><td><math>\varnothing 6</math>mm</td></tr> <tr><td>VP8L[5]-M4</td><td><math>\varnothing 8</math>mm</td></tr> <tr><td>VP10L[5]-M4</td><td><math>\varnothing 10</math>mm</td></tr> <tr><td>VP15L[5]-M4</td><td><math>\varnothing 15</math>mm</td></tr> </tbody> </table>	Model code for set	Cup dia.	VP4L[5]-M4	$\varnothing 4$ mm	VP6L[5]-M4	$\varnothing 6$ mm	VP8L[5]-M4	$\varnothing 8$ mm	VP10L[5]-M4	$\varnothing 10$ mm	VP15L[5]-M4	$\varnothing 15$ mm																																														
Model code for set	Cup dia.																																																																					
VP6LB[5]-M4	$\varnothing 6$ mm																																																																					
VP8LB[5]-M4	$\varnothing 8$ mm																																																																					
VP10LB[5]-M4	$\varnothing 10$ mm																																																																					
VP15LB[5]-M4	$\varnothing 15$ mm																																																																					
Model code for set	Cup dia.																																																																					
VP4L[5]-M4	$\varnothing 4$ mm																																																																					
VP6L[5]-M4	$\varnothing 6$ mm																																																																					
VP8L[5]-M4	$\varnothing 8$ mm																																																																					
VP10L[5]-M4	$\varnothing 10$ mm																																																																					
VP15L[5]-M4	$\varnothing 15$ mm																																																																					



- Cup dia. : (ø10, ø15 for Sponge type), ø20, ø25, ø30, ø40, ø50mm  
 Oval: 2x4, 3.5x7, 4x10, 4x20, 4x30, 5x10, 5x20, 5x30, 6x10, 6x20, 6x30, 8x20, 8x30mm



Standard plane type cup+connecting screw	
Model code for set	Cup dia.
VP20R[5]-M6	ø20mm
VP25R[5]-M6	ø25mm
VP30R[5]-M6	ø30mm

Standard spheric type cup+connecting screw	
Model code for set	Cup dia.
VP20A[5]-M6	ø20mm
VP25A[5]-M6	ø25mm
VP30A[5]-M6	ø30mm

Skidproof type cup+connecting screw	
Model code for set	Cup dia.
VP20K[5]-M6	ø20mm
VP30K[5]-M6	ø30mm

Standard plane type cup+connecting screw	
Model code for set	Cup dia.
VP40R[5]-M6	ø40mm
VP50R[5]-M6	ø50mm

Standard spheric type cup+connecting screw	
Model code for set	Cup dia.
VP40A[5]-M6	ø40mm
VP50A[5]-M6	ø50mm

Skidproof type cup+connecting screw	
Model code for set	Cup dia.
VP40K[5]-M6	ø40mm
VP50K[5]-M6	ø50mm

Bellows type cup+connecting screw	
Model code for set	Cup dia.
VP20B[5]-M6	ø20mm
VP25B[5]-M6	ø25mm
VP30B[5]-M6	ø30mm

Mark-free resin attachment (Option)	
Model code for resin	Cup dia.
VP20BQ[8]-AT	ø20mm
VP25BQ[8]-AT	ø25mm
VP30BQ[8]-AT	ø30mm

Bellows type cup+connecting screw	
Model code for set	Cup dia.
VP40B[5]-M6	ø40mm
VP50B[5]-M6	ø50mm

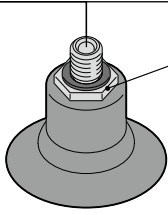
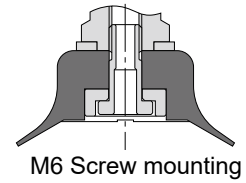
  

Multi-bellows type cup+connecting screw	
Model code for set	Cup dia.
VP20W[5]-M6	ø20mm
VP30W[5]-M6	ø30mm

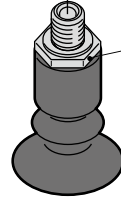
Multi-bellows type cup+connecting screw	
Model code for set	Cup dia.
VP40W[5]-M6	ø40mm
VP50W[5]-M6	ø50mm

Cup connecting code **-M6**



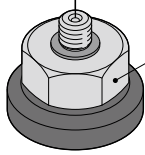
Soft type cup+connecting screw

Model code for set	Cup dia.
VP20L <sup>5</sup> -M6	ø20mm
VP30L <sup>5</sup> -M6	ø30mm
VP40L <sup>5</sup> -M6	ø40mm



Soft bellows type cup+connecting screw

Model code for set	Cup dia.
VP20LB <sup>5</sup> -M6	ø20mm

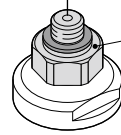


Flat type cup+connecting screw

Model code for set	Cup dia.
VP20F <sup>5</sup> -M6	ø20mm
VP25F <sup>5</sup> -M6	ø25mm
VP30F <sup>5</sup> -M6	ø30mm

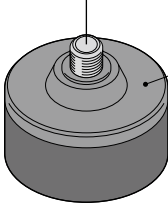
Flat high flow type cup+connecting screw

Model code for set	Cup dia.
VP20FH <sup>5</sup> -M6	ø20mm
VP25FH <sup>5</sup> -M6	ø25mm
VP30FH <sup>5</sup> -M6	ø30mm



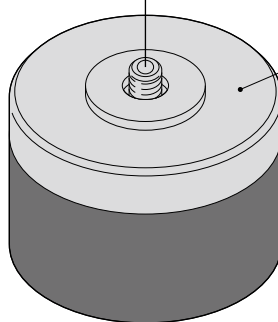
Mark-free type cup+Flexible fitting

Model code for set	Cup dia.
VP20Q <sup>5</sup> -M6	ø20mm
VP30Q <sup>5</sup> -M6	ø30mm



Sponge type cup+Frame with screw

Model code for set	Cup dia.
VP10S <sup>5</sup> -M6	ø10mm
VP15S <sup>5</sup> -M6	ø15mm
VP20S <sup>5</sup> -M6	ø20mm
VP25S <sup>5</sup> -M6	ø25mm
VP30S <sup>5</sup> -M6	ø30mm



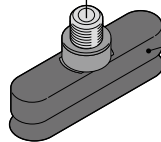
Sponge type cup+Frame with screw

Model code for set	Cup dia.
VP35S <sup>5</sup> -M6	ø35mm
VP50S <sup>5</sup> -M6	ø50mm



Oval type cup+connecting screw

Model code for set	Cup size
VP2×4E <sup>5</sup> -M6	2×4mm
VP3.5×7E <sup>5</sup> -M6	3.5×7mm
VP4×10E <sup>5</sup> -M6	4×10mm
VP5×10E <sup>5</sup> -M6	5×10mm
VP6×10E <sup>5</sup> -M6	6×10mm



Oval type cup+connecting screw

Model code for set	Cup size
VP4×20E <sup>5</sup> -M6	4×20mm
VP4×30E <sup>5</sup> -M6	4×30mm
VP5×20E <sup>5</sup> -M6	5×20mm
VP5×30E <sup>5</sup> -M6	5×30mm
VP6×20E <sup>5</sup> -M6	6×20mm
VP6×30E <sup>5</sup> -M6	6×30mm
VP8×20E <sup>5</sup> -M6	8×20mm
VP8×30E <sup>5</sup> -M6	8×30mm