

Vacuum Cup Fitting with 10-32UNF and M5 male thread



10-32UNF & M5 installing male thread for any 10-32UNF & M5 female thread vacuum ports



Standard		Soft	Soft Bellows	Skidproof	Bellows for Food packaging
General	Spheric				
Bellows	Multi-Bellows	Flat & High flow Flat	Oval	Ultrathin object	Mark-free

Wide variety of suction cups with 10-32UNF and M5 connecting threads

M5 female thread connection is also available - see details





Type and Model Code of Vacuum Fitting

Male thread connection

Mounting type	Screw type (Connection with screw)	Snap on type (Direct mounting)	Female screw type (Connection with screw)
Cup Mounting type drawing			
Fitting code	VPU10-6-7 (VPM56-7) VPU10-12-9 (VPM512-9) VPU10-10-8 (VPM510-8) VPU10-10-13 (VPM510-13)	FVPL15-U10 (FVPL15-M5) FVPLF15-U10 (FVPLF15-M5) FVPL40-U10 (FVPL40-M5) FVPLF30-U10 (FVPLF30-M5)	FSPH10-U10 (FSPH10-M5) FSPH20-U10 (FSPH20-M5) (CFHM5-M5)

Notes: The model number in the brackets indicates M5 thread fittings.

10-32UNF thread fitting code

Cup type														
	Standard		Soft	Soft Bellows	Skidproof	Bellows	Multi-bellows	Flat	Flat High flow type	Mark-free	Oval			
Code	Plane	Spheric										R	A	L
Cup size (ømm), D x W (mm) for oval type	4	—	—	FVPL15-U10	—	—	—	—	—	—	—	—	2x4	FSPH10-U10
	6	—	—	FVPL15-U10	FVPL15-U10	—	—	—	—	—	—	—	3.5x7	
	8	—	—	FVPL15-U10	FVPL15-U10	—	—	—	—	—	—	—	4x10	
	10	VPU10-6-7	—	FVPL15-U10	FVPL15-U10	VPU10-6-7	VPU10-6-7	VPU10-6-7	FVPLF15-U10	FVPLFH15-U10	—	—	5x10	
	15	VPU10-6-7	VPU10-6-7	FVPL15-U10	FVPL15-U10	—	VPU10-6-7	—	FVPLF15-U10	FVPLFH15-U10	—	—	4x20	FSPH20-U10
	20	VPU10-10-8	VPU10-10-8	FVPL40-U10	FVPL40-U10	VPU10-10-8	VPU10-10-8	VPU10-10-8	FVPLF30-U10	FVPLFH30-U10	—	—	4x30	
	25	VPU10-10-8	VPU10-10-8	—	—	—	VPU10-10-8	—	FVPLF30-U10	FVPLFH30-U10	—	—	5x20	
	30	VPU10-12-9	VPU10-12-9	FVPL40-U10	—	VPU10-12-9	VPU10-12-9	VPU10-12-9	FVPLF30-U10	FVPLFH30-U10	—	—	5x30	
	40	VPU10-10-13	VPU10-10-13	FVPL40-U10	—	VPU10-10-13	VPU10-10-13	VPU10-10-13	—	—	—	—	6x20	
	50	VPU10-10-13	VPU10-10-13	—	—	VPU10-10-13	VPU10-10-13	VPU10-10-13	—	—	—	—	6x30	

M5 thread fitting code

Cup type														
	Standard		Soft	Soft Bellows	Skidproof	Bellows	Multi-bellows	Flat	Flat High flow type	Mark-free	Oval			
Code	Plane	Spheric										L	LB	K
Cup size (ømm), D x W (mm) for oval type	4	—	—	FVPL15-M5	—	—	—	—	—	—	—	—	2x4	FSPH10-M5
	6	—	—	FVPL15-M5	FVPL15-M5	—	—	—	—	—	—	—	3.5x7	
	8	—	—	FVPL15-M5	FVPL15-M5	—	—	—	—	—	—	—	4x10	
	10	VPM56-7	—	FVPL15-M5	FVPL15-M5	VPM56-7	VPM56-7	VPM56-7	FVPLF15-M5	FVPLFH15-M5	CFHM5-M5	—	5x10	
	15	VPM56-7	VPM56-7	FVPL15-M5	FVPL15-M5	—	VPM56-7	—	FVPLF15-M5	FVPLFH15-M5	—	—	4x20	FSPH20-M5
	20	VPM510-8	VPM510-8	FVPL40-M5	FVPL40-M5	VPM510-8	VPM510-8	VPM510-8	FVPLF30-M5	FVPLFH30-M5	CFHM5-M5	—	4x30	
	25	VPM510-8	VPM510-8	—	—	—	VPM510-8	—	FVPLF30-M5	FVPLFH30-M5	—	—	5x20	
	30	VPM512-9	VPM512-9	FVPL40-M5	—	VPM512-9	VPM512-9	VPM512-9	FVPLF30-M5	FVPLFH30-M5	CFHM5-M5	—	5x30	
	40	VPM510-13	VPM510-13	FVPL40-M5	—	VPM510-13	VPM510-13	VPM510-13	—	—	—	—	6x20	
	50	VPM510-13	VPM510-13	—	—	VPM510-13	VPM510-13	VPM510-13	—	—	—	—	6x30	

Notes:

- 1) Please ask us about models with other threads such as **G1**, **G2** and so on.
- 2) When you select the screw type fitting such as VPU10-10-13 or VPM510-13, the cup support is needed to install the vacuum cup. See the following page for details.

Model Designation for Vacuum Cup + Male Thread Fitting (Example)



① Vacuum Cup

⑥. -S3 Specification

Code	No entry	-S3
Spec.	Standard	Metal parts : No copper alloy used Seal material : FKM or HNBR

⑤. Connecting male thread code

Code	-U10	-M5
Thread size	10-32UNF	M5×0.8

④. Material

Code	N	S	U	F	FS	HN	EP
Material	Nitrile	Silicone	Urethane	Viton	Furoro-silicone	HNBR	EPDM
Cup type code	R	○	○	○	○	—	○
	A	○	○	○	○	—	○
	L	○	○	—	—	○	—
	LB	○	○	○	—	—	○
	K	—	○	○	○	—	—
	B	○	○	○	○	—	○
	W	○	○	○	○	—	○
	F	○	○	○	○	—	—
	FH	○	○	—	○	—	—
	E	○	○	○	○	—	○

Code	NH	SE	E	NE	G
Material	Oil-proof NBR	ESD Silicone	ESD Butadien (Low resistance)	ESD NBR (Low resistance)	Japan food grade NBR
Cup type code	R	—	○	○	○
	A	—	○	—	○
	L	—	○	—	○
	LB	—	○	—	○
	K	○	—	—	○
	B	—	○	—	○
	W	—	—	—	○
	F	—	○	—	○
	FH	—	○	—	○
	E	—	○	○	○

○ : Available

Mark-free type : Resin material

Code	K	M	KE
Cup type code: Q	PEEK	PEEK	ESD PEEK

③. Vacuum cup type

Code	R	A	L	LB	K	B	W	F	FH	E	Q
Type	Standard		Soft	Soft Bellows	Skidproof	Bellows (1.5 folds)	Multi-bellows	Flat	Flat High flow type	Oval	Mark-free
	Plane	Spheric									

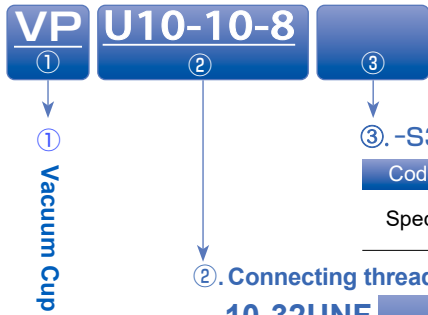
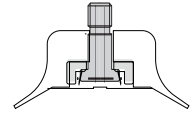
②. Vacuum cup size

Code	4	6	8	10	15	20	25	30	40	50
Cup dia.	ø4	ø6	ø8	ø10	ø15	ø20	ø25	ø30	ø40	ø50
Cup type code	R			✓	✓	✓	✓	✓	✓	✓
	A				✓	✓	✓	✓	✓	✓
	L	✓	✓	✓	✓	✓	✓	✓	✓	
	LB		✓	✓	✓	✓				
	K				✓		✓		✓	✓
	B				✓	✓	✓	✓	✓	✓
	W				✓		✓	✓	✓	✓
	F				✓	✓	✓	✓		
	FH				✓	✓	✓	✓		
	Q				✓		✓	✓		
	E	The size of oval type cup is available from 2×4 to 8×30 mm								

Direct-mounting with 10-32UNF and M5

Model Designation for 10-32UNF and M5 thread screw fitting only (Example)

Applied to
 Standard Plane type
 Standard Spheric type
 Skidproof type
 Bellows type
 Multi-bellows type



③. -S3 Specification

Code	No entry	-S3
Spec.	Standard	Metal parts : No copper alloy used Seal material : FKM or HNBR

②. Connecting thread size and code (male thread)

10-32UNF thread

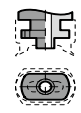
Code	Applicable cup type and dia. (mm)				
	Standard type		Skidproof type	Bellows type	Multi-bellows type
	Plane	Spheric			
U10-6-7	ø10, ø15	ø15	ø10	ø10, ø15	ø10
U10-10-8	ø20, ø25	ø20, ø25	ø20	ø20, ø25	ø20
U10-12-9	ø30	ø30	ø30	ø30	ø30
U10-10-13	ø40, ø50	ø40, ø50	ø40, ø50	ø40, ø50	ø40, ø50

M5 thread

Code	Applicable cup type and dia. (mm)				
	Standard type		Skidproof type	Bellows type	Multi-bellows type
	Plane	Spheric			
M56-7	ø10, ø15	ø15	ø10	ø10, ø15	ø10
M510-8	ø20, ø25	ø20, ø25	ø20	ø20, ø25	ø20
M512-9	ø30	ø30	ø30	ø30	ø30
M510-13	ø40, ø50	ø40, ø50	ø40, ø50	ø40, ø50	ø40, ø50

Model Designation for Snap-on type fitting with 10-32UNF and M5 thread (Example)

Applied to
 Soft type
 Soft bellows type
 Flat type
 Flat high flow type
 Oval type



④. -S3 Specification

Code	No entry	-S3
Spec.	Standard	Metal parts : No copper alloy used Seal material : FKM or HNBR

③. Connecting male thread and code

Code	-U10	-M5
Thread size	10-32UNF	M5x0.8

②. Cup mounting style

Code	15	30	40	Code	10	20	
Mounting	Snap-on			Mounting	Snap-on		
Cup dia. (mm) · Type	ø4	L	—	Cup size (mm) · Type	2x4	E	
	ø6	L, LB	—		3.5x7	E	
	ø8	L, LB	—		4x10	E	
	ø10	L, LB, F, FH	—		4x20	—	
	ø15	L, LB, F, FH	—		4x30	—	
	ø20	—	F, FH		L, LB	5x10	E
	ø25	—	F, FH		—	5x20	—
	ø30	—	F, FH		L	5x30	—
	ø40	—	—		L	6x10	E
						6x20	—
				6x30	—		
				8x20	—		
				8x30	—		

Note: The details of cup codes are as follows;
 L : Soft type
 LB: Soft bellows type
 F : Flat type
 FH: Flat high flow type
 E : Oval type

①. Fitting type

Code	FSPH	FVPL	FVPLF	FVPLFH
Applied to	Oval type	Soft type Soft bellows type	Flat type	Flat high flow type

Model Designation for Screw-on type fitting with M5 thread

Applied to
Mark-free type



①. Fitting type

Code	CFH
Applied to	Mark-free type

②. Cup mounting screw

Code	-M5
Thread size	M5x0.8

③. Connecting male thread and code

Code	-M5
Thread size	M5x0.8

④. -S3 Specification

Code	No entry	-S3
Spec.	Standard	Metal parts : No copper alloy used Seal material : FKM or HNBR

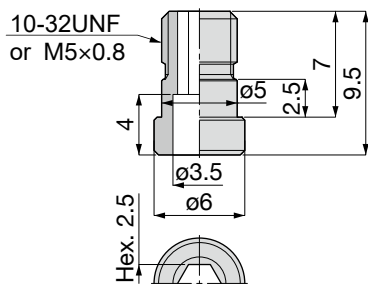


Screw mounting type with 10-32UNF and M5 thread

Dimensions for direct-mounting fitting

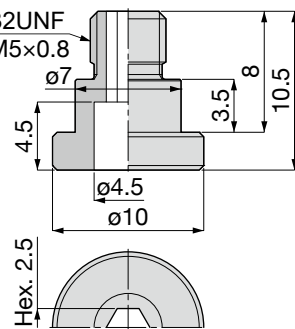
Vacuum cup type: Standard plane, Standard spheric, Skidproof, Bellows and Multi-bellows type

VPU10-6-7^③ VPM56-7^③



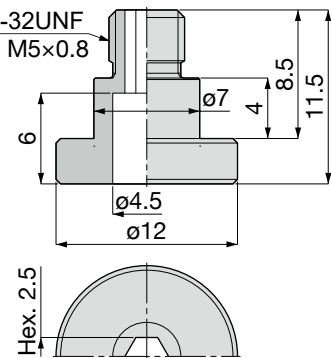
Vacuum cup type	Cup dia. (mm)
Standard plane type	ø10, ø15
Standard spheric type	ø15
Skidproof type	ø10
Bellows type (1.5 folds)	ø10, ø15
Multi-bellows type	ø10

VPU10-10-8^③ VPM510-8^③



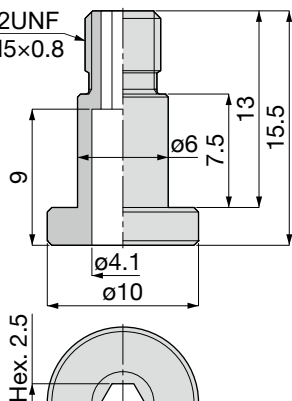
Vacuum cup type	Cup dia. (mm)
Standard plane type	ø20, ø25
Standard spheric type	ø20, ø25
Skidproof type	ø20
Bellows type (1.5 folds)	ø20, ø25
Multi-bellows type	ø20

VPU10-12-9^③ VPM512-9^③



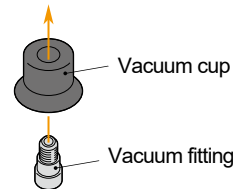
Vacuum cup type	Cup dia. (mm)
Standard plane type	ø30
Standard spheric type	ø30
Skidproof type	ø30
Bellows type (1.5 folds)	ø30
Multi-bellows type	ø30

VPU10-10-13^③ VPM510-13^③

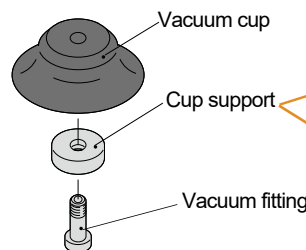


Vacuum cup type	Cup dia. (mm)
Standard plane type	ø40, ø50
Standard spheric type	ø40, ø50
Skidproof type	ø40, ø50
Bellows type (1.5 folds)	ø40, ø50
Multi-bellows type	ø40, ø50

Direct-mounting



For ø40 and ø50mm dia. cup, the cup support is needed for installation



Notes: Ask us for the price of -S3 specification

Model code		Unit : mm	Price (\$)
VPU10-6-7 ^③	VPM56-7 ^③		2.09
VPU10-10-8 ^③	VPM510-8 ^③		2.27
VPU10-12-9 ^③	VPM512-9 ^③		2.27

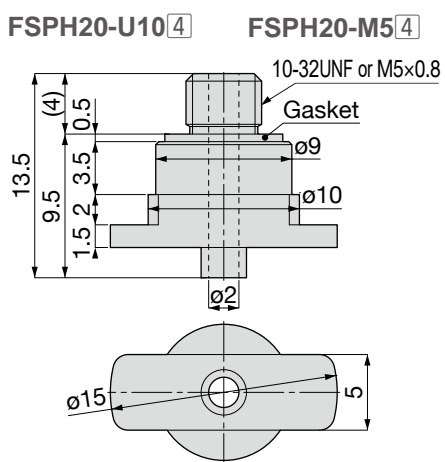
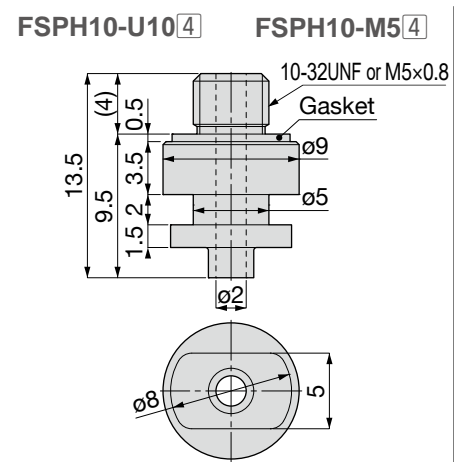
Model code		Price (\$)
VPW40 (for 40mm dia. cup)		1.36
VPW50 (for 50mm dia. cup)		1.64

Model code	Price (\$)
VPU10-10-13 ^③ VPM510-13 ^③	2.27

Snap-on type with 10-32UNF and M5 thread

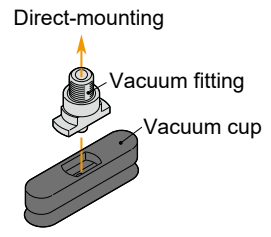
Dimensions for 10-32UNF and M5 Fitting

Vacuum cup type : Oval type



Model code		Price (\$)
FSPH10-U10	FSPH10-M5	3.64
FSPH20-U10	FSPH20-M5	3.64

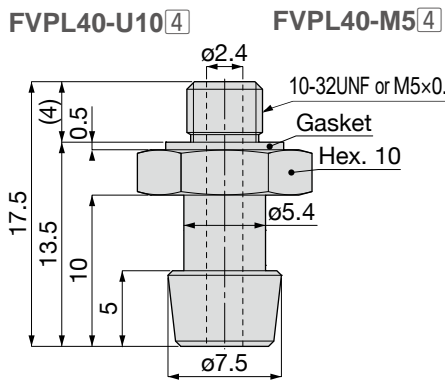
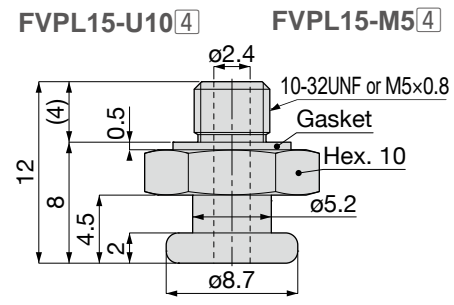
Notes: Ask us for the price of -S3 specification



Vacuum cup type	Cup size (mm)
Oval type	2x4, 3.5x7, 4x10, 5x10, 6x10

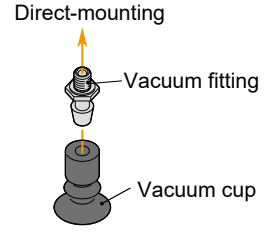
Vacuum cup type	Cup size (mm)
Oval type	4x20, 4x30, 5x20, 5x30, 6x20, 6x30, 8x20, 8x30

Vacuum cup type : Soft type, Soft bellows type



Model code		Price (\$)
FVPL15-U10	FVPL15-M5	2.55
FVPL40-U10	FVPL40-M5	2.55

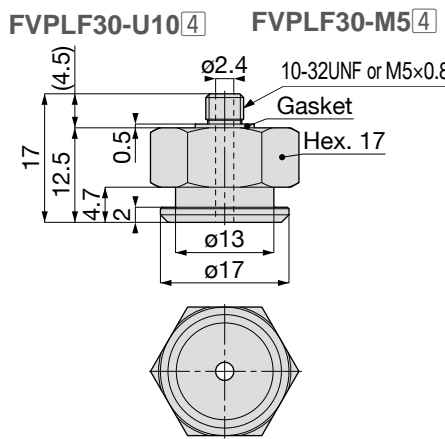
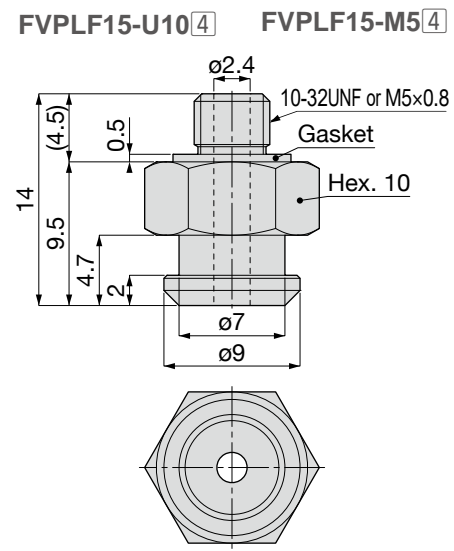
Notes: Ask us for the price of -S3 specification



Vacuum cup type	Cup dia. (mm)
Soft type	ø4, ø6, ø8, ø10, ø15
Soft bellows type	ø6, ø8, ø10, ø15

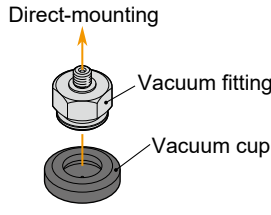
Vacuum cup type	Cup dia. (mm)
Soft type	ø20, ø30, ø40
Soft bellows type	ø20

Vacuum cup type : Flat type



Model code		Price (\$)
FVPLF15-U10	FVPLF15-M5	5.82
FVPLF30-U10	FVPLF30-M5	5.82

Notes: Ask us for the price of -S3 specification



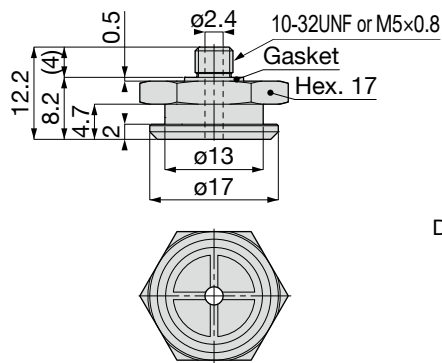
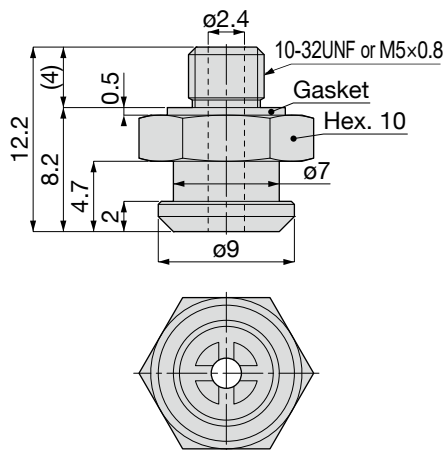
Vacuum cup type	Cup dia. (mm)
Flat type	ø10, ø15

Vacuum cup type	Cup dia. (mm)
Flat type	ø20, ø25, ø30

Vacuum cup type : Flat high flow type

FVPLFH15-U10⁴ FVPLFH15-M5⁴ FVPLFH30-U10⁴ FVPLFH30-M5⁴

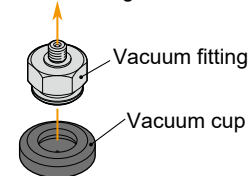
Unit : mm



Model code	Price (\$)
FVPLFH15-U10 ⁴ FVPLFH15-M5 ⁴	7.27
FVPLFH30-U10 ⁴ FVPLFH30-M5 ⁴	8.64

Notes: Ask us for the price of -S3 specification

Direct-mounting



Vacuum cup type	Cup dia. (mm)
Flat high flow type	ø10, ø15
Flat type	ø10, ø15

Vacuum cup type	Cup dia. (mm)
Flat high flow type	ø20, ø25, ø30
Flat type	ø20, ø25, ø30

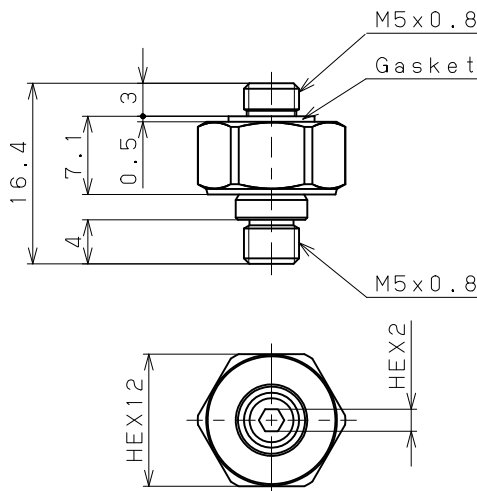
Screw-on type with M5 thread

■ Dimensions for Fitting

Vacuum cup type : Mark-free type

CFHM5-M5⁴

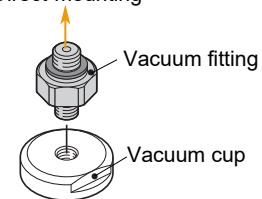
Unit : mm



Model code	Price (\$)
CFHM5-M5 ⁴	18.21

Notes: Ask us for the price of -S3 specification

Direct-mounting



Vacuum cup type	Cup dia. (mm)
Mark-free type	ø10, ø20, ø30

△ Safety instruction

△ Remark: Please refer to the following tightening torque chart when installing the vacuum fittings

Vacuum fitting code	Tightening torque (N·m)
VPU10□-□, VPM5□-□	1.0~1.5
FSPH□-U10, FSPH□-M5	0.27~0.33
FVPL□-U10, FVPLF□-U10, FVPL□-M5, FVPLF□-M5 FVPLFH□-U10, FVPLFH□-M5, CFHM5-M5	1.5~2.0

Direct mounting VPE, VPME type of fitting with M5 male thread connecting

Model Designation for Vacuum Cup + VPE type of Thread Fitting (Example)



⑥. -S3 specification

Code	No entry	-S3
Spec.	Standard	Metal parts : No copper alloy used Seal material : FKM or HNBR

⑤. Connecting thread

Code	-M5
Thread size	M5×0.8

④. Cup rubber material

Code	N	S	U	F	FS	HN	EP
Material	Nitrile	Silicone	Urethane	Viton	Furoro-silicone	HNBR	EPDM
Cup type code	R	○	○	○	—	○	○
	RM	○	○	○	—	○	○
	B	○	○	○	○	○	○
	W	○	○	○	○	—	○
	P	○	○	○	○	○	—
	PB	—	—	—	—	—	—

Code	SE	E	NE	G	S2	S4
Material	ESD Silicone	ESD Butadien (Low resistance)	ESD NBR (Low resistance)	Japanese Food Grade NBR	Food Silicone 20A	Food Silicone 40A
Cup type code	R	○	○	○	○	—
	RM	○	○	○	○	—
	B	○	—	○	—	—
	W	—	—	○	○	—
	P	—	—	○	—	—
	PB	—	—	—	—	○

○ : Available

③. Cup type

Code	R	RM	B	W	P	PB
Type	Standard Plane	Standard Miniature	Bellows	Multi-Bellows	Ultrathin Object	Bellows for Food packaging bags

②. Cup size (applicable vacuum fitting model number)

Code	0.7	1	1.5	2	3	4	6	8
Cup dia.	ø0.7	ø1	ø1.5	ø2	ø3	ø4	ø6	ø8
Cup type code	R	VPE-H3-M5		VPE-H3-M5	VPE-H3-M5	VPE-H3-M5	VPE-T8-M5 VPME-T8-M5	VPE-T8-M5 VPME-T8-M5
	RM	VPE-T4-M5	VPE-T4-M5	VPE-T4-M5	VPE-T4-M5	VPE-T4-M5		
	B			VPE-H3-M5		VPE-H3-M5	VPE-H3-M5 VPME-H3-M5	VPE-T8-M5 VPME-T8-M5
	W						VPE-T8-M5 VPME-T8-M5	VPE-T8-M5 VPME-T8-M5

Notes: The cup material for VPE2B□-M5 is limited to Nitrile and Silicon, and VPE4B□-M5 is to Nitrile, Silicone and ESD silicone only.

Code	8	10	15	20	25	30	40	50
Cup dia.	ø8	ø10	ø15	ø20	ø25	ø30	ø40	ø50
Cup type code	P	VPE-T8-M5 VPME-T8-M5	VPE-T8-M5 VPME-T8-M5	VPE-T8-M5 VPME-T8-M5				
	PB			VPE-PB15-M5	VPE-PB15-M5	VPE-PB15-M5	VPE-PB15-M5	VPE-PB15-M5

①. Fitting type

Code	E	ME
Fitting type	Standard	Miniature

Notes: Miniature fitting (code: VPME) is available only with ø6 and ø8 of R, B and W types and all P type of vacuum cups.

Direct mounting VPE type of fitting with M5 Female thread connecting

M5 female thread fitting - Model code

Cup Type												
	Standard			Soft	Soft Bellows	Skidproof	Bellows	Multi-Bellows	Extrathin Object	Flat & High flow flat	Mark-free	Sponge
Code	Plane	Spheric	Miniature	L	LB	K	B	W	P	F	Q	S
0.7			VPE-T4-FM5									
1	VPE-H3-FM5		VPE-T4-FM5									
1.5			VPE-T4-FM5									
2	VPE-H3-FM5		VPE-T4-FM5				VPE-H3-FM5					
3	VPE-H3-FM5		VPE-T4-FM5									
4	VPE-H3-FM5		VPE-T4-FM5	VPE-T15-FM5			VPE-H3-FM5					
6	VPE-T8-FM5			VPE-T15-FM5	VPE-T15-FM5		VPE-T8-FM5	VPE-T8-FM5				
8	VPE-T8-FM5			VPE-T15-FM5	VPE-T15-FM5		VPE-T8-FM5	VPE-T8-FM5	VPE-T8-FM5			
10	VPE-M4-FM5			VPE-T15-FM5	VPE-T15-FM5	VPE-M4-FM5	VPE-M4-FM5	VPE-M4-FM5	VPE-T8-FM5	VPE-M4-FM5	VPE-M4-FM5	VPE-M4-FM5
15	VPE-M4-FM5	VPE-M4-FM5		VPE-T15-FM5	VPE-T15-FM5		VPE-M4-FM5		VPE-T8-FM5	VPE-M4-FM5		VPE-M4-FM5
20	VPE-M6-FM5	VPE-M6-FM5		VPE-T40-FM5	VPE-T40-FM5	VPE-M6-FM5	VPE-M6-FM5	VPE-M6-FM5	VPE-T8-FM5	VPE-M6-FM5	VPE-M6-FM5	VPE-M6-FM5
25	VPE-M6-FM5	VPE-M6-FM5					VPE-M6-FM5			VPE-M6-FM5		VPE-M6-FM5
30	VPE-M6-FM5	VPE-M6-FM5		VPE-T40-FM5		VPE-M6-FM5	VPE-M6-FM5	VPE-M6-FM5		VPE-M6-FM5	VPE-M6-FM5	VPE-M6-FM5
35												VPE-M6-FM5
40	VPE-M6-FM5	VPE-M6-FM5		VPE-T40-FM5		VPE-M6-FM5	VPE-M6-FM5	VPE-M6-FM5				
50	VPE-M6-FM5	VPE-M6-FM5				VPE-M6-FM5	VPE-M6-FM5	VPE-M6-FM5				VPE-M6-FM5

Cup Type															
Code	E	Size: LxW (mm)	2x4	3.5x7	4x10	5x10	6x10	4x20	4x30	5x20	5x30	6x20	6x30	8x20	8x30
		VPE-M6-FM5													

Model Designation for Vacuum Cup + E type of Female Thread Fitting (Example)

M5 female thread fitting



⑥. -S3 specification

Code	No entry	-S3
Spec.	Standard	Metal parts : No copper alloy used Seal material : FKM or HNBR

⑤. Connecting female thread code

Code	-FM5
Thread size	M5×08

④. Cup rubber material

Code	N	S	U	F	FS	HN	EP
Material	Nitrile	Silicone	Urethane	Viton	Furoro-silicone	HNBR	EPDM
R, RM	○	○	○	○	—	○	○
A	○	○	○	○	—	○	○
L	○	○	—	—	○	—	—
LB	○	○	○	—	—	○	○
K	—	○	○	○	—	—	—
B	○	○	○	○	—	○	○
W	○	○	○	○	—	○	○
P	○	○	○	○	○	—	—
F	○	○	○	○	—	—	—
FH	○	○	—	○	—	—	—
E	○	○	○	○	—	○	○

Code	NH	SE	E	NE	G
Material	Oil-proof NBR	ESD Silicone	ESD Butadien (Low resistance)	ESD NBR (Low resistance)	Japan food grade NBR
R, RM	—	○	○	○	○
A	—	○	—	○	○
L	—	○	—	○	—
LB	—	○	—	○	—
K	○	—	—	○	—
B	—	○	—	○	—
W	—	—	—	○	○
P	—	—	—	○	—
F	—	○	—	○	○
FH	—	○	—	○	—
E	—	○	○	○	—

○ : Available

Mark-free type : Resin material

Code	K	M	KE	
Cup type code:	Q	PEEK	PEEK	ESD PEEK

Sponge type : Foam material

Code	C	S	
Cup type code:	S	Chloroprene	Silicone

③. Cup type

Code	R	A	RM	L	LB	K	B	W	P	F	FH	E	Q
Type	Standard			Soft	Soft Bellows	Skid proof	Bellows (1.5 folds)	Multi-bellows	Ultrathin Object	Flat	Flat High flow	Oval	Mark-free
	Plane	Spheric	Miniature										
R	○	○	○	○	○	○	○	○	○	○	○	○	○
A	○	○	○	○	○	○	○	○	○	○	○	○	○
RM	○	○	○	○	○	○	○	○	○	○	○	○	○
L	○	○	○	○	○	○	○	○	○	○	○	○	○
LB	○	○	○	○	○	○	○	○	○	○	○	○	○
K	○	○	○	○	○	○	○	○	○	○	○	○	○
B	○	○	○	○	○	○	○	○	○	○	○	○	○
W	○	○	○	○	○	○	○	○	○	○	○	○	○
P	○	○	○	○	○	○	○	○	○	○	○	○	○
F, FH	○	○	○	○	○	○	○	○	○	○	○	○	○
Q	○	○	○	○	○	○	○	○	○	○	○	○	○
S	○	○	○	○	○	○	○	○	○	○	○	○	○
E	○	○	○	○	○	○	○	○	○	○	○	○	○

②. Cup size

Code	0.7	1	1.5	2	3	4	6	8	10	15	20	25	30	35	40	50
Cup dia.	ø0.7	ø1	ø1.5	ø2	ø3	ø4	ø6	ø8	ø10	ø15	ø20	ø25	ø30	ø35	ø40	ø50
R	○	○	○	○	○	○	○	○	○	○	○	○	○	○	○	○
A	○	○	○	○	○	○	○	○	○	○	○	○	○	○	○	○
RM	○	○	○	○	○	○	○	○	○	○	○	○	○	○	○	○
L	○	○	○	○	○	○	○	○	○	○	○	○	○	○	○	○
LB	○	○	○	○	○	○	○	○	○	○	○	○	○	○	○	○
K	○	○	○	○	○	○	○	○	○	○	○	○	○	○	○	○
B	○	○	○	○	○	○	○	○	○	○	○	○	○	○	○	○
W	○	○	○	○	○	○	○	○	○	○	○	○	○	○	○	○
P	○	○	○	○	○	○	○	○	○	○	○	○	○	○	○	○
F, FH	○	○	○	○	○	○	○	○	○	○	○	○	○	○	○	○
Q	○	○	○	○	○	○	○	○	○	○	○	○	○	○	○	○
S	○	○	○	○	○	○	○	○	○	○	○	○	○	○	○	○
E	○	○	○	○	○	○	○	○	○	○	○	○	○	○	○	○

①. Fitting type

Code	E
Type	Direct-mounting